

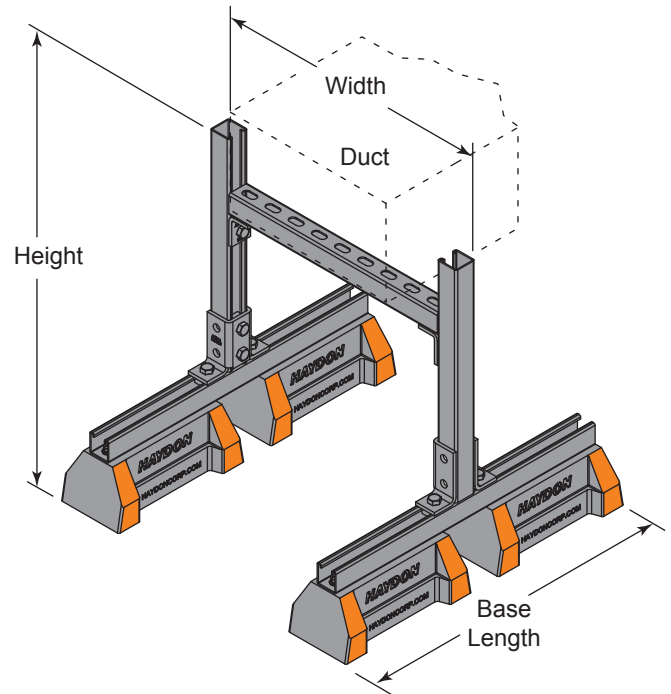
HBS-DSFW Fixed Width Duct Support



HBS-DS Duct Support Series With Fixed Width And Adjustable Height



The HBS-DSFW Series is designed specifically for supporting duct work.



Specifications – HBS-DSFW
 Fixed Width & Height.
 All hardware required for assembly is included.
 Base Material - 100% recycled rubber, UV resistant
 Crossbeams - 15/8" H-132-RS3 Channel

SPECIFICATIONS

MATERIAL

- H-BLOCK is 100% Recycled Rubber
 - All 4 corners coated with ANSI #2535.1-1998 orange
- H-STRUT channels are produced from prime structural steel covered by the following specifications.

- Pre-Galvanized SteelASTM A-653
- Plain SteelASTM A-1011-SS
- Aluminum (Type 6063T6)ASTM B-221
- Stainless Steel (Type 304 & 316) ASTM A-240

Other materials and specifications available on request.

TESTING

Rooftop Supports Have Been Tested By An Accredited Independent Laboratory To The Following:
 ASTM D575 Method B – Modified – Compression/Deflection
 ASTM D1171 Modified – Ozone Resistance
 Freeze/Thaw Environmental Simulation

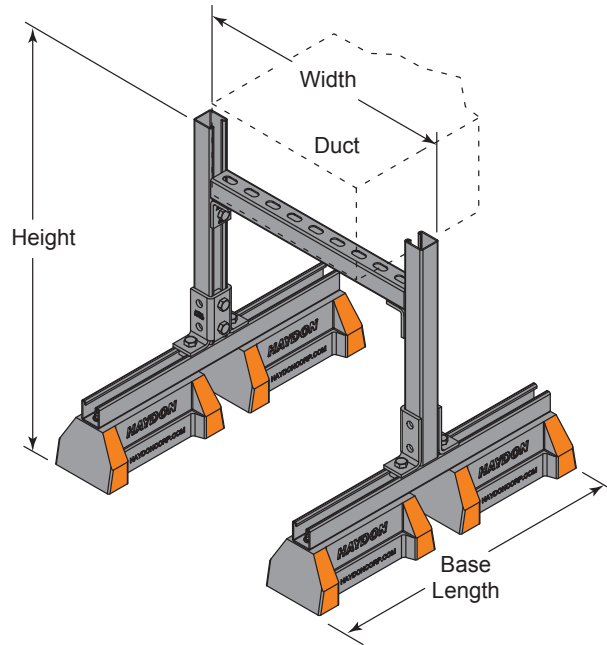
FINISHES

All H-STRUT channels are stocked in pre-galvanized and powder coated Supr-Green. Some sizes are stocked in zinc trivalent chromium, PVC or hot dipped galvanized.

- Hot Dipped Galvanized.ASTM A-123
- Zinc Trivalent ChromiumASTM B-633-85
- Powder Coated Supr-Green.ASTM B-117
- PVC Coating 40 ML Thickness - Available Upon Request

HBS-DSFW Fixed Width Duct Support

HBS-DS Duct Support Series With Fixed Width And Adjustable Height (Cont.)



Model No.	Height	Width	Base Length	No. of Bases	Weight (Lbs)	Uniform Load Capacity (Lbs) *
HBS-DS2FW-23-18-H-132-PG	23" (584mm)	18" (457mm)	24" (610mm)	4	39.80	2042 *
HBS-DS2FW-23-24-H-132-PG		24" (610mm)			40.67	1531 *
HBS-DS2FW-23-36-H-132-PG		36" (914mm)			42.33	1021 *
HBS-DS2FW-23-48-H-132-PG		48" (1219mm)			43.99	766 *
HBS-DS2FW-29-18-H-132-PG	29" (737mm)	18" (457mm)	24" (610mm)	4	41.58	2042 *
HBS-DS2FW-29-24-H-132-PG		24" (610mm)			42.41	1531 *
HBS-DS2FW-29-36-H-132-PG		36" (914mm)			44.08	1021 *
HBS-DS2FW-29-48-H-132-PG		48" (1219mm)			45.74	766 *
HBS-DS2FW-41-18-H-132-PG	41" (1041mm)	18" (457mm)	24" (610mm)	4	45.07	2042 *
HBS-DS2FW-41-24-H-132-PG		24" (610mm)			45.90	1531 *
HBS-DS2FW-41-36-H-132-PG		36" (914mm)			47.56	1021 *
HBS-DS2FW-41-48-H-132-PG		48" (1219mm)			49.22	766 *
HBS-DS3FW-53-18-H-132-PG	53" (1346mm)	18" (457mm)	36" (914mm)	6	62.23	2042 *
HBS-DS3FW-53-24-H-132-PG		24" (610mm)			63.06	1531 *
HBS-DS3FW-53-36-H-132-PG		36" (914mm)			64.72	1021 *
HBS-DS3FW-53-48-H-132-PG		48" (1219mm)			66.38	766 *

* This load is only for the capacity of the components in this assembly. Please consult roofing manufacturer or engineer for roof load capacity

Project Information		
Project:		Notes:
Address:		
Contractor:		
Engineer:	Date:	
Approval		
<input type="checkbox"/> Approved <input type="checkbox"/> Approved as Noted <input type="checkbox"/> Not Approved	Signature:	Remarks: