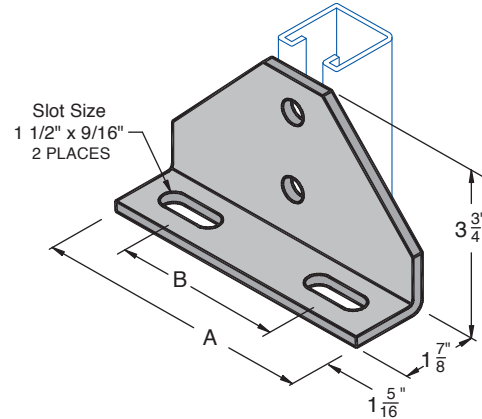


A-315 A-315-1

Slotted Joint Connector Angle

| Catalog No. | A | B | Wt./100 Pcs. |
|-------------|---------------------------------|----|--------------|
| A-315 | 6 ⁵ / ₈ " | 4" | 180 |
| A-315-1 | 8 ⁵ / ₈ " | 6" | 256 |



Specifications

GENERAL

H-STRUT General Fittings are designed to fit with all H-STRUT 1⁵/₈" wide channels. All H-STRUT fittings are manufactured from 1/4" thick carbon steel, 1⁵/₈" wide, all holes are 9/16" diameter, spaced 1⁷/₈" on center and 1³/₁₆" from the end.

MATERIAL

H-STRUT fittings are manufactured from the following material:

- Hot Rolled Steel SheetASTM A-1011 or Cold Rolled Steel SheetASTM A-1008
- Stainless Steel-Type 304/316ASTM A-240
- Aluminum FittingASTM B-221

FINISHES

H-STRUT fittings are available in the following finishes: (See technical section for additional information)

- Electro GalvanizedASTM B-633
- Hot Dipped Galvanized.ASTM A-123
- Zinc Trivalent Chromium.ASTM B-633-85
- Powder Coated Supr-GreenASTM B-117
- PVC Coating - Available Upon Request

ORDERING

Please specify catalog number and finish.

Fittings Notes:

Holes are 9/16" diameter, spaced 1⁷/₈" on center and 1³/₁₆" from end.

| Project Information | | |
|--|------------|----------|
| Project: | | Notes: |
| Address: | | |
| Contractor: | | |
| Engineer: | Date: | |
| Approval | | |
| <input type="checkbox"/> Approved | Signature: | Remarks: |
| <input type="checkbox"/> Approved as Noted | | |
| <input type="checkbox"/> Not Approved | | |