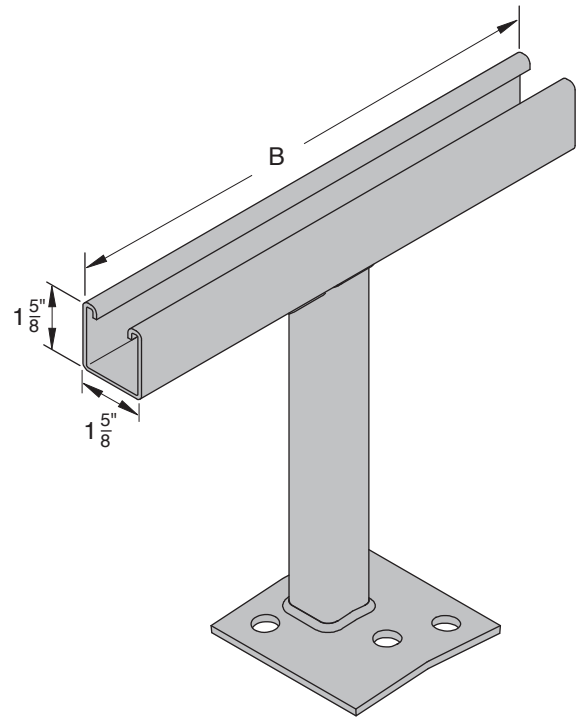


PS-7000 Series

Pole Separator

1⁵/₈" X 1⁵/₈" x 12 Gauge Channel
 11 Gauge Pole
 wt./100 Pcs. - 365#

Pole Separators are manufactured from prime domestic structural hot rolled steel sheet conforming to ASTM A-1101. They have an electro-galvanized finish conforming to ASTM B-633.



SPECIFICATIONS

GENERAL

H-STRUT Closure Strips (C-900) are designed to fit all H-STRUT channels to make a surface raceway. Electrical Fittings are also designed to fit all H-STRUT channels.

LENGTH

H-STRUT Closure Strips stocked in 10 ft. lengths. Other lengths available upon request.

UL LISTED ELECTRICAL PRODUCTS

- Channel Raceway
- Channel Raceway Closure Strip
- Channel Raceway Base
- Channel Raceway Fittings



ORDERING

Specify catalog number, size when required, and finish, if other than standard.

MATERIAL

Channels, Closure Strips and Accessories are manufactured from the following materials:

- Hot Rolled Carbon Steel.ASTM A-1011-04-SS or Cold Rolled Carbon SteelASTM A-1008
- Stainless Steel - Type 304/316. .ASTM A-240

FINISH

Channels, Closure Strips and Accessories are available in the following finishes:

- Pre-GalvanizedASTM A-653-G90
- Hot Dipped Galvanized.ASTM A-123
- Zinc Trivalent Chromium.ASTM B-633-85
- Powder Coated Supr-Green. . . .ASTM B-117
- Plastic: green, white, black

*Other finishes available upon request