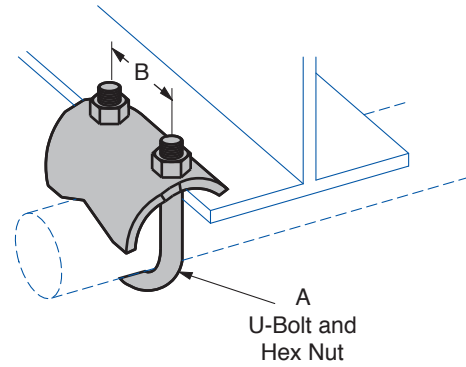


## RAC

### Right Angle Pipe or Conduit Clamp

Size	A Dia.	B	Wt/100 Pcs.	Std. Pkg.
3/8"	5/16"	15/16"	25	50
1/2"	5/16"	1 3/16"	41	50
3/4"	5/16"	1 7/16"	42	50
1"	5/16"	1 11/16"	47	50
1 1/4"	5/16"	2"	54	50
1 1/2"	5/16"	2 3/8"	57	50
2"	3/8"	2 3/16"	85	50
2 1/2"	3/8"	3 3/8"	106	50
3"	3/8"	4 1/8"	110	50
3 1/2"	3/8"	4 5/8"	128	50
4"	3/8"	5 1/8"	140	50

FINISH: Electro-Galvanized (EZN).



## SPECIFICATIONS

### GENERAL

H-STRUT Pipe Clamps are all manufactured to fit into the standard openings of 1 5/8" channel to support runs of piping where desired, to secure the pipe in place.

### MATERIAL

H-STRUT pipe clamps are manufactured from the following materials:

- Hot Rolled Steel Sheet . . . . .ASTM A-1011 or Cold Rolled Steel Sheet . . . . .ASTM A-1008
- Stainless Steel-Type 304/316 . . . . .ASTM A-240
- Aluminum Clamps 5052H32 . . . . .ASTM B-209

### FINISH

H-STRUT pipe clamps are available in the following finishes:

- Electro Galvanized . . . . .ASTM B-633
- Hot Dipped Galvanized. . . . .ASTM A-123
- Zinc Trivalent Chromium. . . . .ASTM B-633-85
- Powder Coated Supr-Green. . . . .ASTM B-117
- Copper Plated. . . . .ASTM B-734-84

### ORDERING

Please specify catalog number, size and finish.

Project Information			
<b>Project:</b>			<b>Notes:</b>
<b>Address:</b>			
<b>Contractor:</b>			
<b>Engineer:</b>	<b>Date:</b>		
Approval			
<input type="checkbox"/> Approved <input type="checkbox"/> Approved as Noted <input type="checkbox"/> Not Approved	<b>Signature:</b>		<b>Remarks:</b>