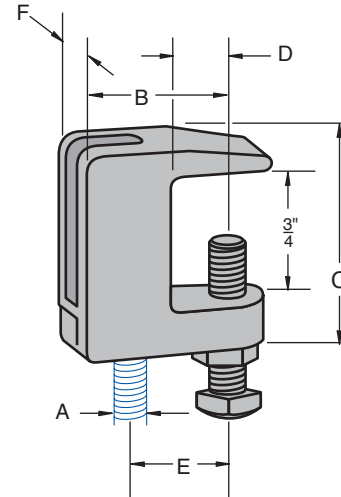


C-420

Top Beam Clamp

MATERIAL: Malleable Iron
FINISH: Plain/Electro-Galvanized
APPLICATION: Recommended for use under roof installations with bar joist type construction where thickness of joist does not exceed $\frac{5}{8}$ inch.
ORDERING: Specify part #, rod size and finish.



Catalog No.	Rod Size A	B	C	D	E	F	Max. Load Lbs	Wt./100 Pcs.
C-420-1	$\frac{3}{8}$ "	$1\frac{1}{2}$ "	$1\frac{7}{16}$ "	$\frac{3}{4}$ "	$1\frac{3}{16}$ "	$\frac{3}{4}$ "	350	30
C-420-2	$\frac{1}{2}$ "	$1\frac{5}{8}$ "	$1\frac{1}{2}$ "	$\frac{3}{4}$ "	$1\frac{1}{4}$ "	$\frac{7}{8}$ "	470	39
C-420-3	$\frac{5}{8}$ "	$1\frac{1}{2}$ "	$1\frac{1}{2}$ "	$\frac{3}{4}$ "	$1\frac{3}{32}$ "	1"	550	40
C-420-4	$\frac{3}{4}$ "	$1\frac{3}{4}$ "	$1\frac{3}{4}$ "	$1\frac{1}{16}$ "	$1\frac{5}{16}$ "	$1\frac{1}{4}$ "	700	67

Specifications

GENERAL

H-STRUT General Fittings are designed to secure all H-STRUT $1\frac{5}{8}$ " wide channels, or threaded rod, to beams or supports for the purpose of running piping, conduit or tubing. All H-STRUT fittings are manufactured from $\frac{1}{4}$ " thick carbon steel or cast malleable iron. Please contact the factory for any other clamps you may need.

ORDERING

Please specify catalog number and finish.

MATERIAL

H-STRUT fittings are manufactured from the following material:

- Hot Rolled Steel SheetASTM A-1101 or Cold Rolled Steel SheetASTM A-1008
- Stainless Steel-Type 304/316.ASTM A-240
- Malleable Cast Iron

FINISH

H-STRUT pipe clamps are available in the following finishes:

- Electro-GalvanizedASTM B-633
- Hot Dipped Galvanized.ASTM A-123
- Zinc Trivalent Chromium.ASTM B-633-85
- Powder Coated Supr-Green.ASTM B-117
- PVC Coating - Available Upon Request

Project Information			
Project:		Notes:	
Address:			
Contractor:			
Engineer:	Date:		
Approval			
<input type="checkbox"/> Approved	Signature:		Remarks:
<input type="checkbox"/> Approved as Noted			
<input type="checkbox"/> Not Approved			