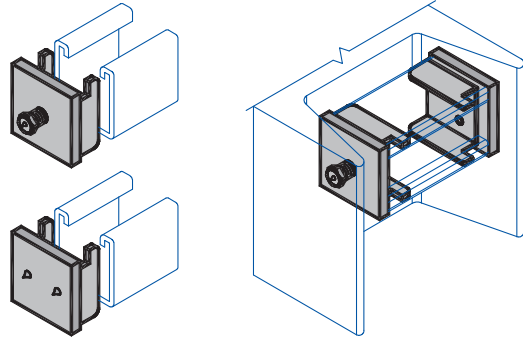


C-412

Column Beam Clamp
Wt. 53#/C (pair)



- NOTE:**
1. Use only with 1 5/8" x 1 5/8" 12-ga. Channel – H-132 and 1 5/8" x 1 5/8" 14-ga. Channel – H-134
 2. Sold only in pairs

Specifications

GENERAL

H-STRUT General Fittings are designed to secure all H-STRUT 1 5/8" wide channels, or threaded rod, to beams or supports for the purpose of running piping, conduit or tubing. All H-STRUT fittings are manufactured from 1/4" thick carbon steel or cast malleable iron. Please contact the factory for any other clamps you may need.

ORDERING

Please specify catalog number and finish.

MATERIAL

H-STRUT fittings are manufactured from the following material:

- Hot Rolled Steel SheetASTM A-1101 or Cold Rolled Steel SheetASTM A-1008
- Stainless Steel-Type 304/316.ASTM A-240
- Malleable Cast Iron

FINISH

H-STRUT pipe clamps are available in the following finishes:

- Electro-GalvanizedASTM B-633
- Hot Dipped Galvanized.ASTM A-123
- Zinc Trivalent Chromium.ASTM B-633-85
- Powder Coated Supr-Green.ASTM B-117
- PVC Coating - Available Upon Request

Project Information			
Project:	Notes:		
Address:			
Contractor:			
Engineer:			
Date:			
Approval			
<input type="checkbox"/> Approved <input type="checkbox"/> Approved as Noted <input type="checkbox"/> Not Approved	Signature:	Remarks:	