

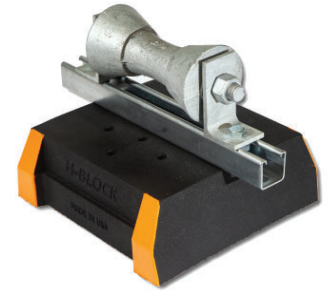
## HB-MEGA-R12-8-10-H-132-PG

The HBS-MEGA-R Series are designed for superior support of natural gas and refrigeration pipes. The roller allows for longitudinal movements of the pipe. This support is suitable for most types of roofing material or flat surfaces.

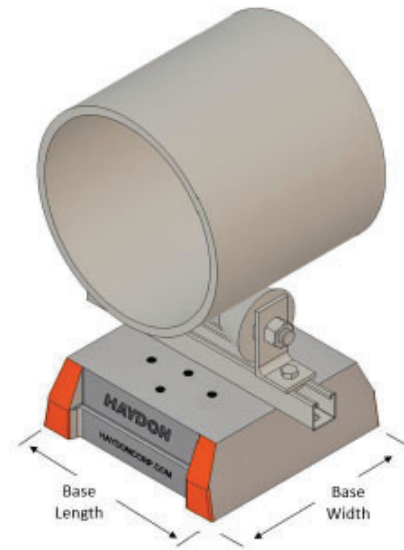
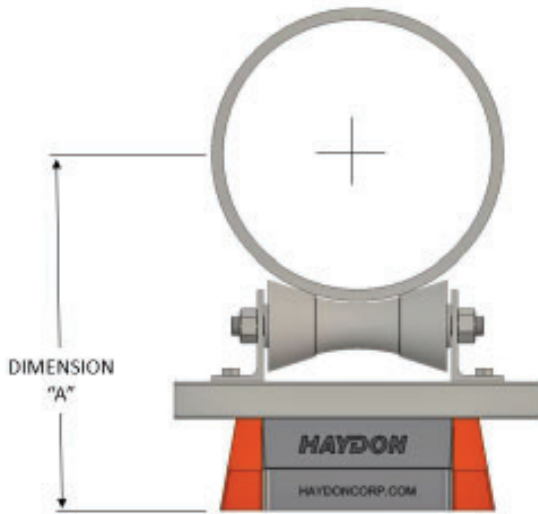
Rooftop supports come pre-assembled

### SPECIFICATIONS

H-Block Support with 1 5/8" H-132 Channel and Rollers  
 Base Material - 100% recycled rubber  
 Pipe O.D. - 8-5/8" thru 20"



### HB-MEGA-R-Roller-Series With 1 5/8" H-132 Pre-Galvanized Steel Channel With Rollers



Model No.	Nominal Pipe Size	Pipe OD	Dist. From Bottom of Base to Center of Pipe (Dimension A)	Length of Strut	Base Width	Base Length	Weight (Lbs)	Uniform Load Capacity (Lbs)*	Safety Factor
HB-MEGA-R12-8-10-H-132-PG	8"	8 5/8" (219mm)	13 1/2" (356mm)	12" (305mm)	12" (305mm)	12" (305mm)	22.41	7,500	2.0
HB-MEGA-R12-8-10-H-132-PG	10"	10 3/4" (42mm)	14 9/16" (384mm)	12" (305mm)	12" (305mm)	12" (305mm)	22.41	7,500	2.0

Project Information		
Project:		Notes:
Address:		
Contractor:		
Engineer:	Date:	
Approval		
<input type="checkbox"/> Approved <input type="checkbox"/> Approved as Noted <input type="checkbox"/> Not Approved	Signature:	Remarks: