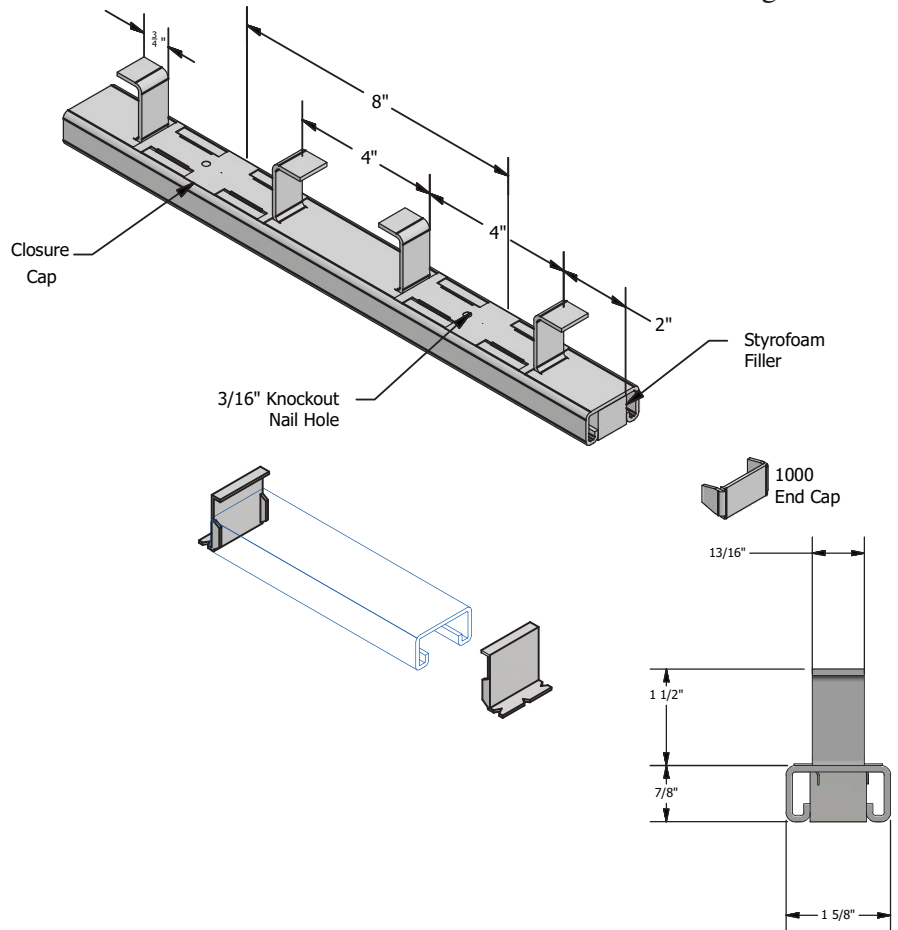


H-172-IN

Concrete Insert

Channel: $\frac{7}{8}$ " x $1\frac{5}{8}$ " x 12 Gauge Stocked in Pre-Galvanized & Plain in 10' & 20' lengths.



SPECIFICATIONS

GENERAL

H-STRUT Concrete Inserts are designed for the attachment or suspension of framing, piping or equipment to concrete structures where a continuous insert slot is required.

LENGTH

H-STRUT Concrete Inserts are produced and stocked in 10 and 20 foot lengths. Other lengths are available upon request.

ORDERING

Specify catalog number, length or size where required and finish when necessary.

MATERIAL

H-STRUT Concrete Inserts and Accessories are produced from prime steel covering the following specifications:

- Hot Rolled Carbon SteelASTM A-1011-04-SS or Cold Rolled Carbon SteelASTM A-1008
- Stainless Steel - Type 304/316LASTM A-240
- Pre-GalvanizedASTM A-653-G90

FINISH

H-STRUT Concrete Inserts and Accessories are stocked in the following finishes:

- Hot Dipped GalvanizedASTM A-123
- Electro GalvanizedASTM B-633

H-172-IN

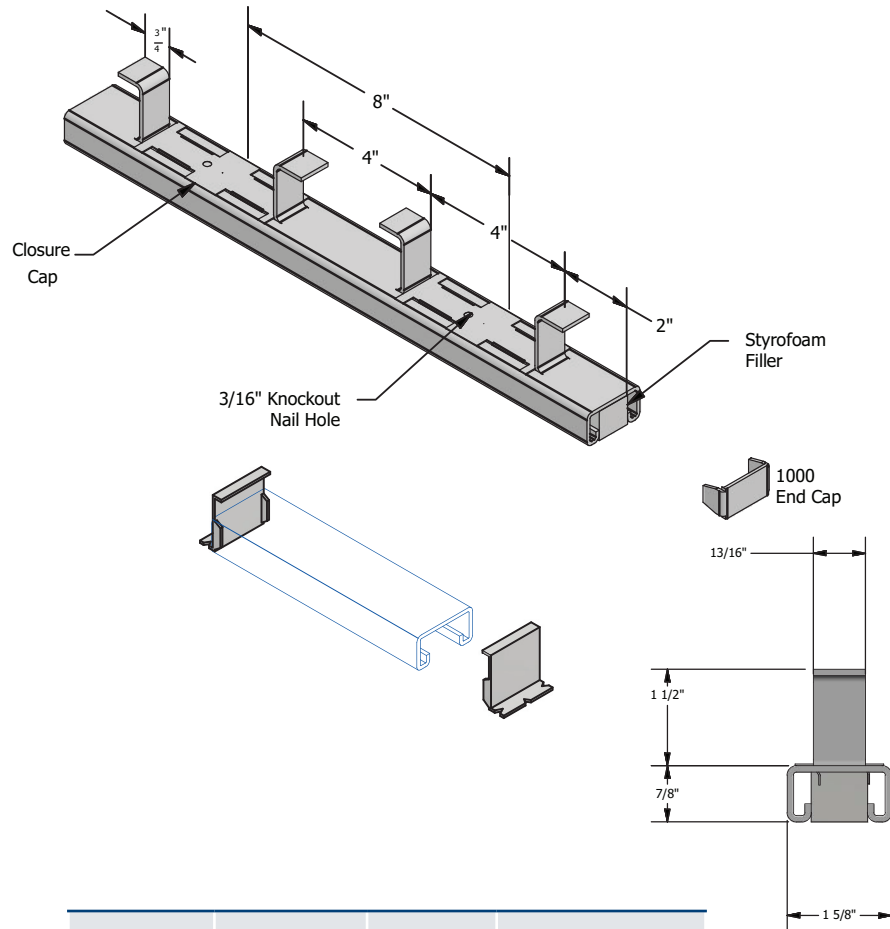
Concrete Insert

Channel: $\frac{7}{8}$ " x $1\frac{5}{8}$ " x 12 Gauge Stocked in Pre-Galvanized & Plain in 10' & 20' lengths.

Other lengths available

FEATURES

- ▶ Loading data was calculated in a concrete mixture which was proportioned so that the compression strength of the concrete was 2,500 to 3,000 pounds per square inch and that the load is dependent on the surrounding concrete.
- ▶ Tests were performed with a safety factor of 3, and in accordance with the MFMA Specifications.
- ▶ H-STRUT concrete inserts are supplied with either the 1000 or 1001 series end cap and either a styrofoam filler or plastic strip (C-900P) installed in the insert channel to prevent any concrete seepage.
- ▶ Stocked in either plain and pre-galvanized, see technical data section for ASTM specifications.
- ▶ Inserts should be secured to forms at 16" intervals.
- ▶ When ordering, please indicate finish and either foam filler, or plastic closure.



Catalog No.	Length in Inches	Wt./100 Pcs.	Max. Allowable Load
H-172-IN	3	35	450 Lbs.
H-172-IN	4	46	600 Lbs.
H-172-IN	6	70	850 Lbs.
H-172-IN	8	93	1100 Lbs.
H-172-IN	12	139	No More Than 1700 Lbs. Per 12" Section
H-172-IN	18	209	
H-172-IN	24	278	
H-172-IN	30	348	
H-172-IN	36	417	
H-172-IN	48	556	
H-172-IN	60	695	
H-172-IN	72	834	
H-172-IN	84	973	
H-172-IN	96	1112	
H-172-IN	108	1251	
H-172-IN	120	1390	
H-172-IN	240	2780	

Project Information		
Project:		Notes:
Address:		
Contractor:		
Engineer:	Date:	
Approval		
<input type="checkbox"/> Approved <input type="checkbox"/> Approved as Noted <input type="checkbox"/> Not Approved	Signature:	Remarks: