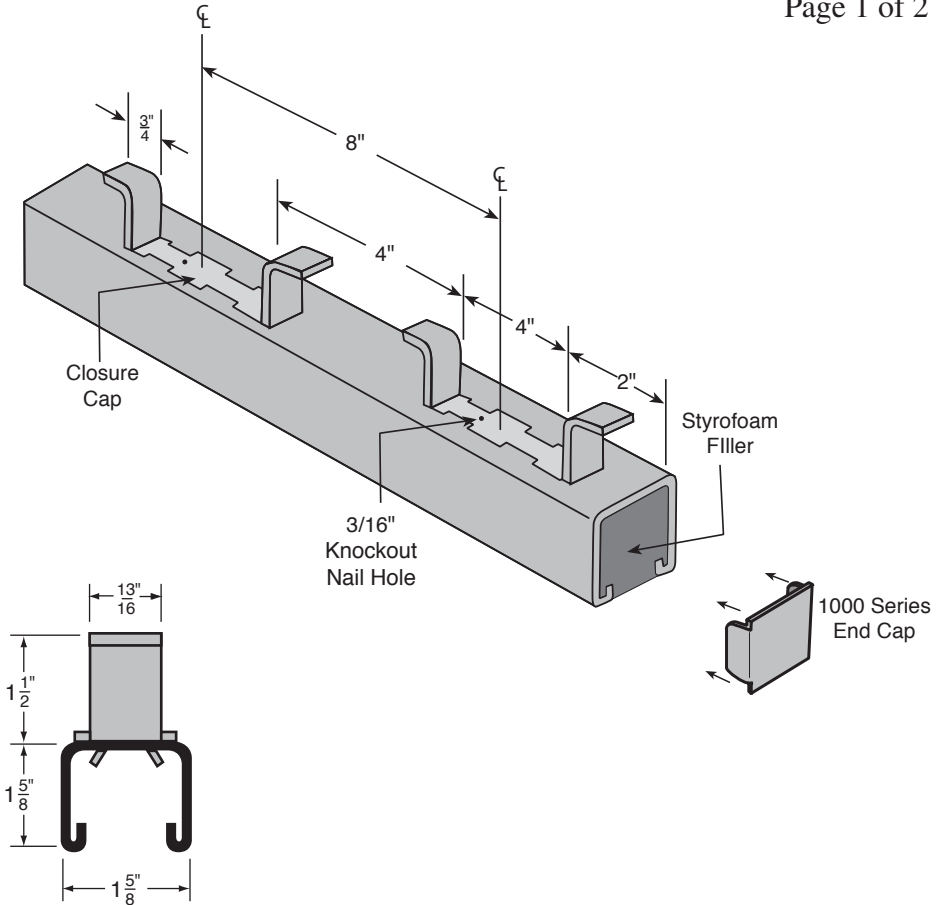
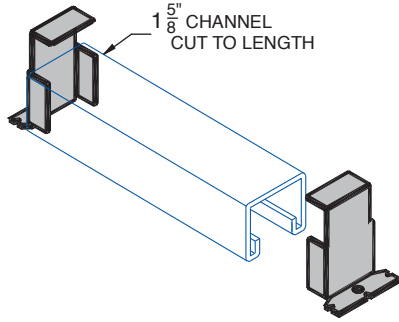


## H-132-IN

### Concrete Insert

Channel: 1 5/8" x 1 5/8" x 12 Gauge  
Stocked in Pre-Galvanized & Plain in 10' & 20' lengths.



## SPECIFICATIONS

### GENERAL

H-STRUT Concrete Inserts are designed for the attachment or suspension of framing, piping or equipment to concrete structures where a continuous insert slot is required.

### LENGTH

H-STRUT Concrete Inserts are produced and stocked in 10 and 20 foot lengths. Other lengths are available upon request.

### ORDERING

Specify catalog number, length or size where required and finish when necessary.

### MATERIAL

H-STRUT Concrete Inserts and Accessories are produced from prime steel covering the following specifications:

- Hot Rolled Carbon Steel. . . . .ASTM A-1011-04-SS or Cold Rolled Carbon Steel . . . . .ASTM A-1008
- Stainless Steel - Type 304/316L. .ASTM A-240

### FINISH

H-STRUT Concrete Inserts and Accessories are stocked in the following finishes:

- Pre-Galvanized . . . . .ASTM A-653-G90
- Hot Dipped Galvanized. . . . .ASTM A-123
- Electro Galvanized . . . . .ASTM B-633

## H-132-IN

### Concrete Insert

Channel: 1½" x 1½" x 12 Gauge

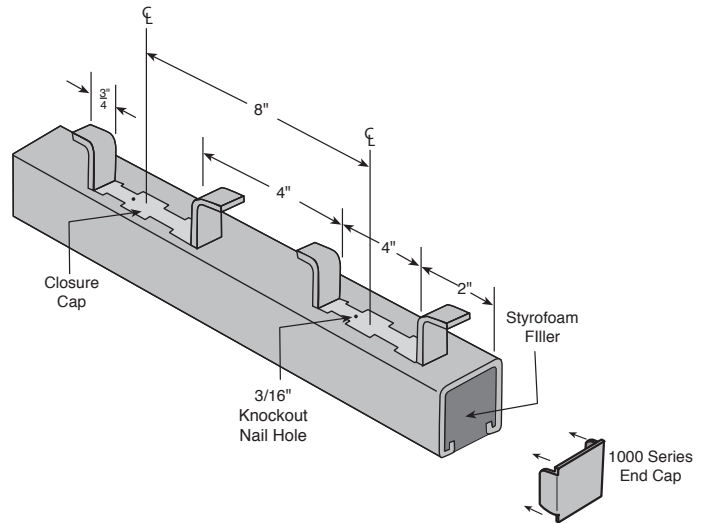
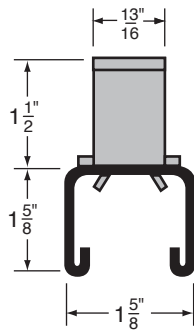
Stocked in Pre-Galvanized & Plain in 10' & 20' lengths.  
(Cont.)

### FEATURES

- Loading data was calculated in a concrete mixture which was proportioned so that the compression strength of the concrete was 2,500 to 3,000 pounds per square inch and that the load is dependent on the surrounding concrete.
- Tests were performed with a safety factor of 3, and in accordance with the MFMA Specifications.
- H-STRUT concrete inserts are supplied with either the 1000 or 1001 series end cap and either a styrofoam filler or plastic strip (C-900P) installed in the insert channel to prevent any concrete seepage.
- Stocked in either plain and pre-galvanized, see technical data section for ASTM specifications.
- Inserts should be secured to forms at 16" intervals.
- When ordering, please indicate finish and either foam filler, or plastic closure.

Catalog No.	Length/Inch	Wt./100 Pcs.	Max. Allowable Load Per 12" Section
H-132-INSS	12	194	2000
H-132-INSS	18	291	2000
H-132-INSS	24	388	2000
H-132-INSS	30	485	2000
H-132-INSS	36	582	2000
H-132-INSS	48	776	2000
H-132-INSS	60	970	2000
H-132-INSS	72	1164	2000
H-132-INSS	84	1358	2000
H-132-INSS	96	1552	2000
H-132-INSS	108	1746	2000
H-132-INSS	120	1940	2000
H-132-INSS	240	3880	2000

H-Strut Concrete Inserts are supplied with the 1000 series end cap and a Styrofoam strip or Plastic Closure (C-900P) inserted into the channel to prevent any concrete seepage.



Project Information		
Project:		Notes:
Address:		
Contractor:		
Engineer:	Date:	
Approval		
<input type="checkbox"/> Approved <input type="checkbox"/> Approved as Noted <input type="checkbox"/> Not Approved	Signature:	Remarks: