



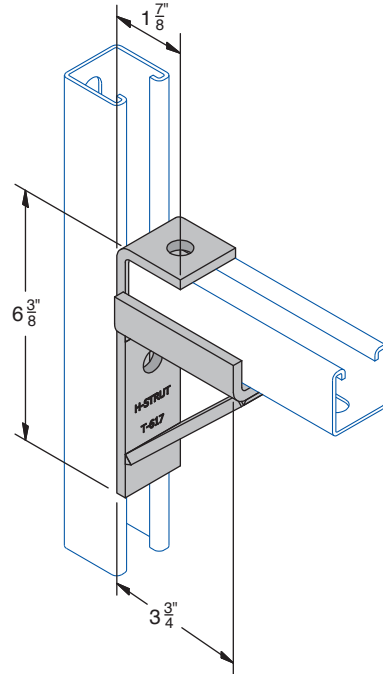
HAYDON®

Get Strut Done.

Submittal Sheets

T-617

Bracket
Wt. 226#/C



Use with:

- 1 5/8" x 1 5/8" 12-ga. Channel – H-132
- 1 5/8" x 1 5/8" 14-ga. Channel – H-134

SPECIFICATIONS

GENERAL

Brackets are designed to support pipe or conduit either suspended from threaded rod or supported as a cantilever from the wall. Note: These brackets can also be used in conjunction with electrical fittings.

MATERIAL

H-STRUT Hanging Supports are produced from our standard channels.

- Hot Rolled Steel SheetASTM A-1101 or Cold Rolled Steel SheetASTM A-1008
- Stainless Steel-Type 304/316L. . .ASTM A-240
- Aluminum.ASTM B-221

FINISH

H-STRUT brackets are available in the following finishes:

- Electro-GalvanizedASTM B-633
- Hot Dipped Galvanized.ASTM A-123
- Zinc Trivalent ChromiumASTM B-633-85
- Powder Coated Supr-GreenASTM B-117
- PVC Coating - Available Upon Request

ORDERING

Specify catalog number, length and finish.

Fittings Notes:

Holes are 9/16" diameter, spaced 1 7/8" on center and 1 3/16" from end.

Project Information		
Project:		Notes:
Address:		
Contractor:		
Engineer:	Date:	
Approval		
<input type="checkbox"/> Approved <input type="checkbox"/> Approved as Noted <input type="checkbox"/> Not Approved	Signature:	Remarks: