



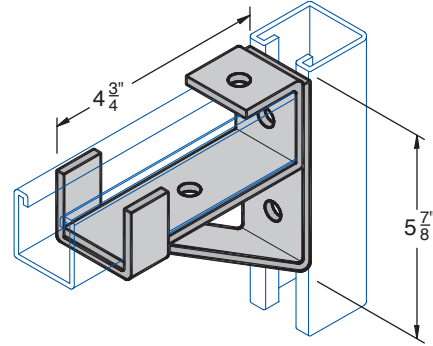
# HAYDON®

Get Strut Done.

# Submittal Sheets

## T-615

Bracket  
Wt. 230#/C



**Use with:**

- 1 5/8" x 1 5/8" 12-ga. Channel – H-132
- 1 5/8" x 1 5/8" 14-ga. Channel – H-134

## SPECIFICATIONS

### GENERAL

Brackets are designed to support pipe or conduit either suspended from threaded rod or supported as a cantilever from the wall. Note: These brackets can also be used in conjunction with electrical fittings.

### MATERIAL

H-STRUT Hanging Supports are produced from our standard channels.

- Hot Rolled Steel Sheet . . . . .ASTM A-1101 or Cold Rolled Steel Sheet . . . . .ASTM A-1008
- Stainless Steel-Type 304/316L. . .ASTM A-240
- Aluminum. . . . .ASTM B-221

### FINISH

H-STRUT brackets are available in the following finishes:

- Electro-Galvanized . . . . .ASTM B-633
- Hot Dipped Galvanized. . . . .ASTM A-123
- Zinc Trivalent Chromium . . . . .ASTM B-633-85
- Powder Coated Supr-Green . . . .ASTM B-117
- PVC Coating - Available Upon Request

### ORDERING

Specify catalog number, length and finish.

**Fittings Notes:**

Holes are 9/16" diameter, spaced 1 7/8" on center and 1 3/16" from end.

Project Information		
Project:		Notes:
Address:		
Contractor:		
Engineer:	Date:	
Approval		
<input type="checkbox"/> Approved	Signature:	Remarks:
<input type="checkbox"/> Approved as Noted		
<input type="checkbox"/> Not Approved		