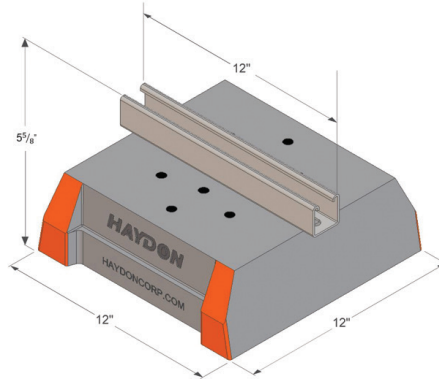
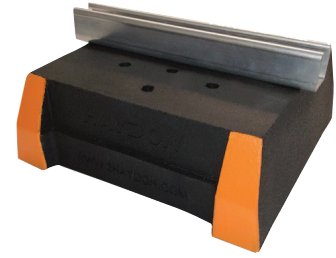


HB-MEGA SERIES SPECIFICATIONS

Base Material - 100% recycled rubber

HB-MEGA support with 1⁵/₈" 12 ga H-132
Pre-Galvanized Steel channel



Model No.	Height	Width	Base Length	Weight (Lbs)	Uniform Load Capacity (Lbs) *	Safety Factor	Square Inches
HB-Mega-12-H-132-PG	5 5/8" (143mm)	12" (305mm)	12" (305mm)	16.7	7,500	2.0	90

* This load is only for the capacity of the components in this assembly. Please consult roofing manufacturer or engineer for roof load capacity.

** Not recommended to be used with any pipe roller series.

Strut Torque Setting - All load capacities stated herein are based on the use of Haydon Grip Lock Nuts tightened to the torque values shown in technical section. When attaching strut to H-Block recommended bolt torque settings 10 to 12 ft-lbs.

SPECIFICATIONS

MATERIAL

- H-BLOCK-MEGA is 100% Recycled Rubber
- All 4 corners coated with ANSI #2535.1-1998 orange

TESTING

Rooftop Supports Have Been Tested By An Accredited Independent Laboratory To The Following:

- ASTM D575 Method B – Modified – Compression/Deflection
- ASTM D1171 Modified – Ozone Resistance
- Freeze/Thaw Environmental Simulation

Project Information		
Project:		Notes:
Address:		
Contractor:		
Engineer:	Date:	
Approval		
<input type="checkbox"/> Approved	Signature:	Remarks:
<input type="checkbox"/> Approved as Noted		
<input type="checkbox"/> Not Approved		