

H-132-C

3 1/4" X 1 5/8"
12 Gauge Channel
wt./100 ft. - 388#

Stocked in pre-galvanized, plain, powder coated Supr-Green, zinc trivalent, PVC coated & aluminum, in 10 & 20 ft. lengths. Note: Also available in Stainless Steel 304 & 316 Alloys. Other materials, finishes, lengths, slotted and configurations are available upon request.

Specifications

GENERAL

H-STRUT channels are manufactured by a series of forming dies, or rolls, which progressively cold work the strip steel into the desired channel configuration. This method produces a cross section of uniform dimensions within a tolerance of plus or minus 0.015", on outside dimensions.

WELDING

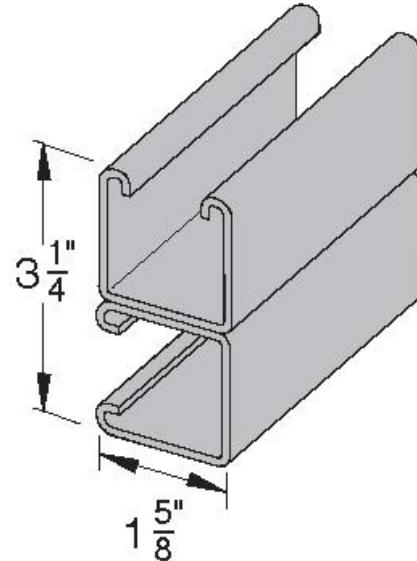
Channel combinations of two or more elements are spot welded together to form various multiple combinations. The spot welds are spaced two inches on centers throughout the length of the multiple channel sections.

LENGTH INFORMATION

H-STRUT Channels are produced and stocked in 10' and 20' lengths with a tolerance of $\pm 1/8"$. Other lengths are available upon request.

LOADING DATA

- When calculating load at center of span, multiply load from table by 0.5 and deflection by 0.8.
- When calculating beam and column loads for aluminum, multiply by 33%.



MATERIAL

H-STRUT channels are produced from prime structural steel covered by the following specifications. (See technical section for additional information)

- Pre-Galvanized Steel ASTM A-653-SS33
 - Plain Steel ASTM A-1011-04-SS33
 - Aluminum (Type 6063T6) ASTM B-221
 - Stainless Steel (Type 304 & 316) ASTM A-240
- Other materials and specifications available on request.

FINISHES

All H-STRUT channels are stocked in pre-galvanized and powder coated Supr-Green. Some sizes are stocked in zinc trivalent chromium, PVC or hot dipped galvanized.

- Hot Dipped Galvanized. ASTM A-123
- Zinc Trivalent Chromium. ASTM B-633-85
- Powder Coated Supr-Green. ASTM B-117
- PVC Coating 40 ML Thickness - Available Upon Request

Project Information		
Project:	Notes:	
Address:		
Contractor:		
Engineer:		
	Date:	
Approval		
<input type="checkbox"/> Approved <input type="checkbox"/> Approved as Noted <input type="checkbox"/> Not Approved	Signature:	Remarks: