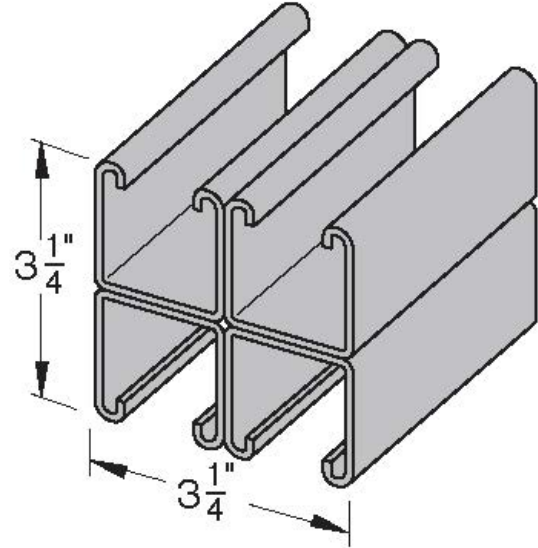


## H-132-A4

3 1/4" X 3 1/4"  
 12 Gauge Channel  
 wt./100 ft. - 776#

Stocked in pre-galvanized, plain, powder coated Supr-Green, zinc trivalent, PVC coated & aluminum, in 10 & 20 ft. lengths. Note: Also available in Stainless Steel 304 & 316L Alloys. Other materials, finishes, lengths, slotted and configurations are available upon request.



## Specifications

### GENERAL

H-STRUT channels are manufactured by a series of forming dies, or rolls, which progressively cold work the strip steel into the desired channel configuration. This method produces a cross section of uniform dimensions within a tolerance of plus or minus 0.015", on outside dimensions.

### WELDING

Channel combinations of two or more elements are spot welded together to form various multiple combinations. The spot welds are spaced two inches on centers throughout the length of the multiple channel sections.

### LENGTH INFORMATION

H-STRUT Channels are produced and stocked in 10' and 20' lengths with a tolerance of  $\pm 1/8"$ . Other lengths are available upon request.

### LOADING DATA

- When calculating load at center of span, multiply load from table by 0.5 and deflection by 0.8.
- When calculating beam and column loads for aluminum, multiply by 33%.

### MATERIAL

H-STRUT channels are produced from prime structural steel covered by the following specifications. (See technical section for additional information)

- Pre-Galvanized Steel . . . . . ASTM A-653-SS33
  - Plain Steel . . . . . ASTM A-1011-04-SS33
  - Aluminum (Type 6063T6) . . . . . ASTM B-221
  - Stainless Steel (Type 304 & 316L) . . . . . ASTM A-240
- Other materials and specifications available on request.

### FINISHES

All H-STRUT channels are stocked in pre-galvanized and powder coated Supr-Green. Some sizes are stocked in zinc trivalent chromium, PVC or hot dipped galvanized.

- Hot Dipped Galvanized. . . . . ASTM A-123
- Zinc Trivalent Chromium. . . . . ASTM B-633-85
- Powder Coated Supr-Green. . . . . ASTM B-117
- PVC Coating 40 ML Thickness - Available Upon Request

Project Information		
Project:	Notes:	
Address:		
Contractor:		
Engineer:		
Approval		
<input type="checkbox"/> Approved <input type="checkbox"/> Approved as Noted <input type="checkbox"/> Not Approved	Signature:	Remarks:

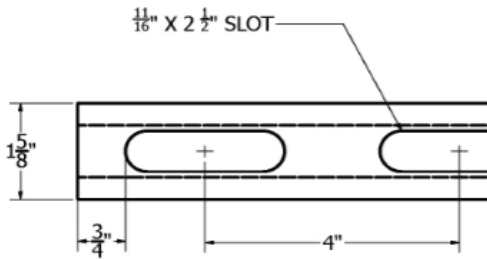
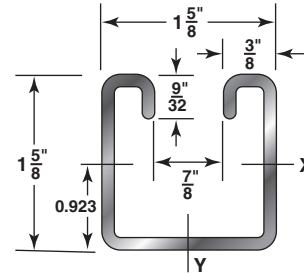
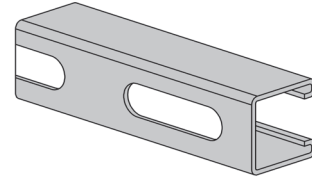
## H-132-OS2.5

1<sup>5</sup>/<sub>8</sub>" X 1<sup>5</sup>/<sub>8</sub>"

12 Gauge Channel

wt./100 ft. - 180#

Stocked in pre-galvanized, plain, powder coated Supr-Green, zinc trivalent, PVC coated & aluminum, in 10 & 20 ft. lengths. Note: Also available in Stainless Steel 304 & 316L Alloys. Other materials, finishes & lengths are available upon request.



## Specifications

### GENERAL

H-STRUT channels are manufactured by a series of forming dies, or rolls, which progressively cold work the strip steel into the desired channel configuration. This method produces a cross section of uniform dimensions within a tolerance of plus or minus 0.015", on outside dimensions.

### LENGTH INFORMATION

H-STRUT Channels are produced and stocked in 10' and 20' lengths with a tolerance of  $\pm 1/8$ ". Other lengths are available upon request.

### LOADING DATA

1. When calculating load at center of span, multiply load from table by 0.5 and deflection by 0.8.
2. When calculating beam and column loads for aluminum, multiply by 33%.

### MATERIAL

H-STRUT channels are produced from prime structural steel covered by the following specifications. (See technical section for additional information)

- Pre-Galvanized Steel . . . . .ASTM A-653
  - Plain Steel . . . . .ASTM A-1011-04-SS
  - Aluminum (Type 6063T6) . . . . .ASTM B-221
  - Stainless Steel (Type 304 & 316L) . . . . .ASTM A-240
- Other materials and specifications available on request.

### FINISHES

All H-STRUT channels are stocked in pre-galvanized and powder coated Supr-Green. Some sizes are stocked in zinc trivalent chromium, PVC or hot dipped galvanized.

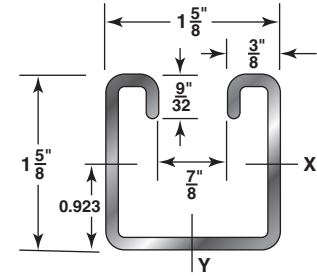
- Hot Dipped Galvanized. . . . .ASTM A-123
- Zinc Trivalent Chromium. . . . .ASTM B-633-85
- Powder Coated Supr-Green. . . . .ASTM B-117
- PVC Coating 40 ML Thickness - Available Upon Request

## H-132-OS2.5

1<sup>5</sup>/<sub>8</sub>" X 1<sup>5</sup>/<sub>8</sub>"  
**12 Gauge Channel**  
 wt./100 ft. - 180# (Cont.)

### SECTION PROPERTIES

Catalog No.	Wt./Ft. Lbs.	Area of Section Sq. In.	X-X Axis			Y-Y Axis		
			I in <sup>4</sup>	S in <sup>3</sup>	r in.	I in <sup>4</sup>	S in <sup>3</sup>	r in.
H-132-OS2.5	1.80	0.552	0.188	0.208	0.584	0.236	0.290	0.654



I = Moment of Inertia    S = Section Modulus    r = Radius of Gyration

Span or Unbraced Height (In)	Static Beam Load (X-X Axis)						Max. Allowable Load at Slot Face (Lbs)	Column Loading Data			
	Max Allowable Uniform Load (Lbs)	Deflection at Uniform Load (In)	Uniform Load at Deflection					Max. Column Load Applied at C.G.			
			Span/180 Deflection (Lbs)	Span/240 Deflection (Lbs)	Span/360 Deflection (Lbs)	Weight of Channel (Lbs)		k=.65 (Lbs)	k=.80 (Lbs)	k=1.0 (Lbs)	k=1.2 (Lbs)
12	3,480	0.01	3,480	3,480	3,480	1.9	3,850	12,240	11,940	11,480	10,960
18	2,320	0.03	2,320	2,320	2,320	2.9	3,710	11,540	10,960	10,130	9,290
24	1,740	0.06	1,740	1,740	1,740	3.9	3,530	10,690	9,850	8,740	7,710
30	1,390	0.09	1,390	1,390	1,310	4.9	3,330	9,780	8,740	7,470	6,380
36	1,160	0.13	1,160	1,160	910	5.8	3,120	8,880	7,710	6,380	5,310
42	990	0.17	990	990	670	6.8	2,910	8,020	6,800	5,470	4,430
48	870	0.23	870	770	510	7.8	2,710	7,240	6,000	4,690	3,810
60	700	0.35	660	490	330	9.7	2,340	5,910	4,690	3,630	2,960
72	580	0.51	460	340	230	11.6	2,040	4,840	3,810	2,960	2,400
84	500	0.69	340	250	170	13.6	1,800	4,040	3,200	2,480	1,980
96	430	0.90	260	190	130	15.5	1,600	3,480	2,750	2,110	1,670
108	390	1.14	200	150	100	17.5	1,440	3,050	2,400	1,820	**
120	350	1.41	160	120	80	19.4	1,290	2,700	2,110	**	**
144	290	2.03	110	90	60	23.3	1,060	2,180	1,670	**	**
168	250	2.77	80	60	40	27.2	**	1,790	**	**	**
180	230	3.18	70	50	40	29.1	**	**	**	**	**
192	220	3.61	60	50	NR	31.0	**	**	**	**	**
216	190	4.57	50	40	NR	34.9	**	**	**	**	**
240	170	5.65	40	NR	NR	38.8	**	**	**	**	**

# Bearing Load may limit load

NR = Not Recommended

\*\* Not recommended - KL/r exceeds 200

Notes

- The beam capacities shown above include the weight of the strut beam. The beam weight must be subtracted from these capacities to arrive at the net beam capacity.
- Allowable beam loads are based on a uniformly loaded, simply supported beam. For capacities of a beam loaded at midspan at a single point, multiply the beam capacity by 50% and deflection by 80%.

3. The above chart shows beam capacities for strut without holes. For strut with holes, multiply by the following:

OS by 88%

4. Refer to the latest Haydon Engineering Catalog in our Literature Section for reduction factors for unbraced lengths or call us 1-800-2-HAYDON.

Project Information			
Project:		Notes:	
Address:			
Contractor:			
Engineer:	Date:		
Approval			
<input type="checkbox"/> Approved <input type="checkbox"/> Approved as Noted <input type="checkbox"/> Not Approved		Signature:	
		Remarks:	