

HBS Series

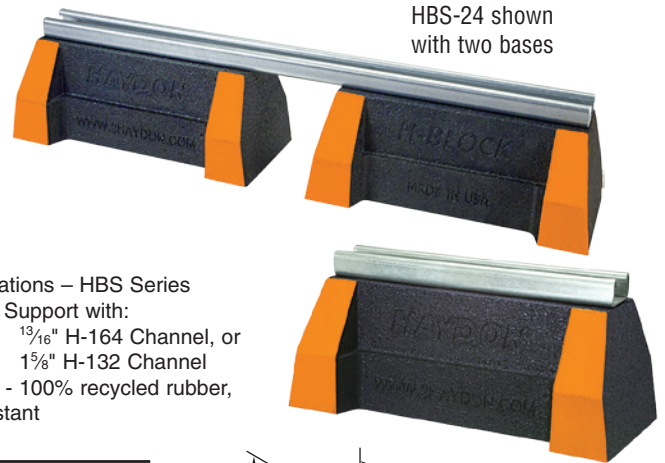
HBS-Support With 1 3/16" H-164 Pre-Galv. Steel Channel

Like all of the H-Block supports, the HBS Series is perfect for supporting natural gas and refrigeration piping systems, cable tray, electrical conduit, multiple lines, HVAC equipment and many other applications.

The HBS Series provides a longer mounting surface with strut lengths up to 46 3/8". Standard strut mount pipe clamps are used to secure the pipes.

The HBS Series is suitable for installation on most types of roofing material or other flat surfaces.

Roof supports come pre-assembled

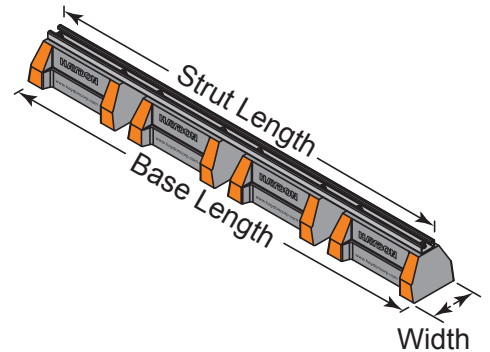
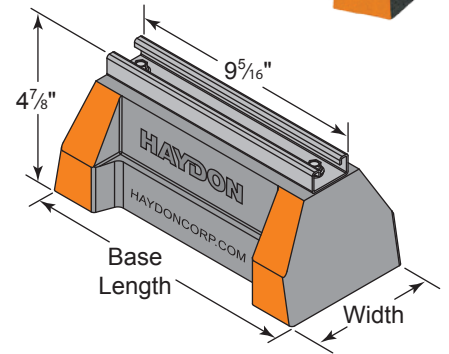


HBS-24 shown with two bases

Specifications – HBS Series
 H-Block Support with:
 1 3/16" H-164 Channel, or
 1 5/8" H-132 Channel
 Material - 100% recycled rubber,
 UV resistant

| Model No. | Height | Width | No. of Bases Required | Strut Length | Base Length | Weight (Lbs) | Uniform Load Capacity (Lbs) * |
|-----------------|-------------------|---------------|-----------------------|---------------------|--------------------|--------------|-------------------------------|
| HBS-10-H-164-PG | 4 7/8" (124mm) | 5" (127mm) | 1 | 9.312" (237mm) | 10-7/8" (276mm) | 5.62 | 2,500 * |
| HBS-24-H-164-PG | | | 2 | 22.375" (568mm) | 24" (610mm) | 11.56 | 5,000 * |
| HBS-36-H-164-PG | | | 3 | 34.375" (873mm) | 36" (914mm) | 17.41 | 7,500 * |
| HBS-48-H-164-PG | | | 4 | 46.375" (1178mm) | 48" (1219mm) | 23.25 | 10,000 * |

* This load is only for the capacity of the components in this assembly. Please consult roofing manufacturer or engineer for roof load capacity



SPECIFICATIONS

MATERIAL

- H-BLOCK is 100% Recycled Rubber
 - All 4 corners coated with ANSI #2535.1-1998 orange
- H-STRUT channels are produced from prime structural steel covered by the following specifications.

- Pre-Galvanized SteelASTM A-653
- Plain SteelASTM A-1011-SS
- Aluminum (Type 6063T6)ASTM B-221
- Stainless Steel (Type 304 & 316) ASTM A-240

Other materials and specifications available on request.

TESTING

Rooftop Supports Have Been Tested By An Accredited Independent Laboratory To The Following:

- ASTM D575 Method B – Modified – Compression/Deflection
- ASTM D1171 Modified – Ozone Resistance
- Freeze/Thaw Environmental Simulation

FINISHES

All H-STRUT channels are stocked in pre-galvanized and powder coated Supr-Green. Some sizes are stocked in zinc trivalent chromium, PVC or hot dipped galvanized.

- Hot Dipped Galvanized.ASTM A-123
- Zinc Trivalent ChromiumASTM B-633-85
- Powder Coated Supr-Green.ASTM B-117
- PVC Coating 40 ML Thickness - Available Upon Request

| Project Information | | |
|--|-------------------|-----------------|
| Project: | Notes: | |
| Address: | | |
| Contractor: | | |
| Engineer: | | |
| | Date: | |
| Approval | | |
| <input type="checkbox"/> Approved <input type="checkbox"/> Approved as Noted <input type="checkbox"/> Not Approved | Signature: | Remarks: |