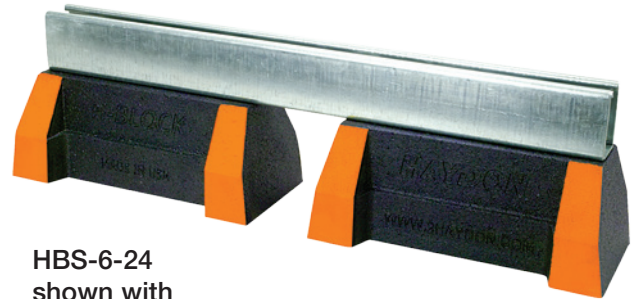


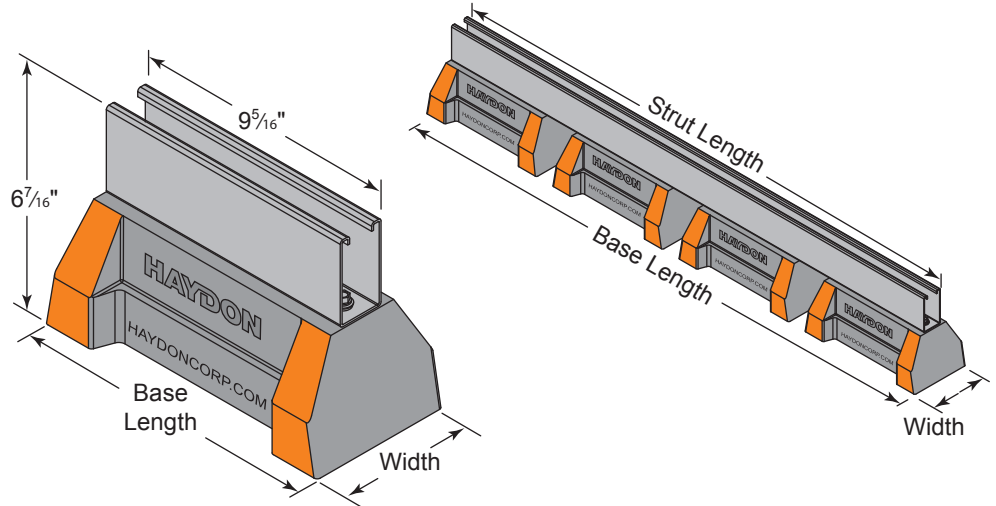
## HBS-6 Series

### HBS Support With 2<sup>7</sup>/<sub>16</sub>" H-122 Pre-Galv. Steel Channel

Like all of the H-Block supports, the HBS-6 Series is perfect for supporting natural gas and refrigeration piping systems, cable tray, electrical conduit, multiple lines, HVAC equipment and many other applications. The HBS-6 Series provides a longer mounting surface with strut lengths up to 46<sup>3</sup>/<sub>8</sub>". The HBS-6 Series is UV resistant and suitable for installation on most types of roofing material or other flat surfaces. Roof supports come pre-assembled



HBS-6-24 shown with two bases



## SPECIFICATIONS

### MATERIAL

- H-BLOCK is 100% Recycled Rubber
  - All 4 corners coated with ANSI #2535.1-1998 orange
- H-STRUT channels are produced from prime structural steel covered by the following specifications.

- Pre-Galvanized Steel . . . . .ASTM A-653
- Plain Steel . . . . .ASTM A-1011-SS
- Aluminum (Type 6063T6) . . . . .ASTM B-221
- Stainless Steel (Type 304 & 316) ASTM A-240

Other materials and specifications available on request.

### TESTING

Rooftop Supports Have Been Tested By An Accredited Independent Laboratory To The Following:  
 ASTM D575 Method B – Modified – Compression/Deflection  
 ASTM D1171 Modified – Ozone Resistance  
 Freeze/Thaw Environmental Simulation

### FINISHES

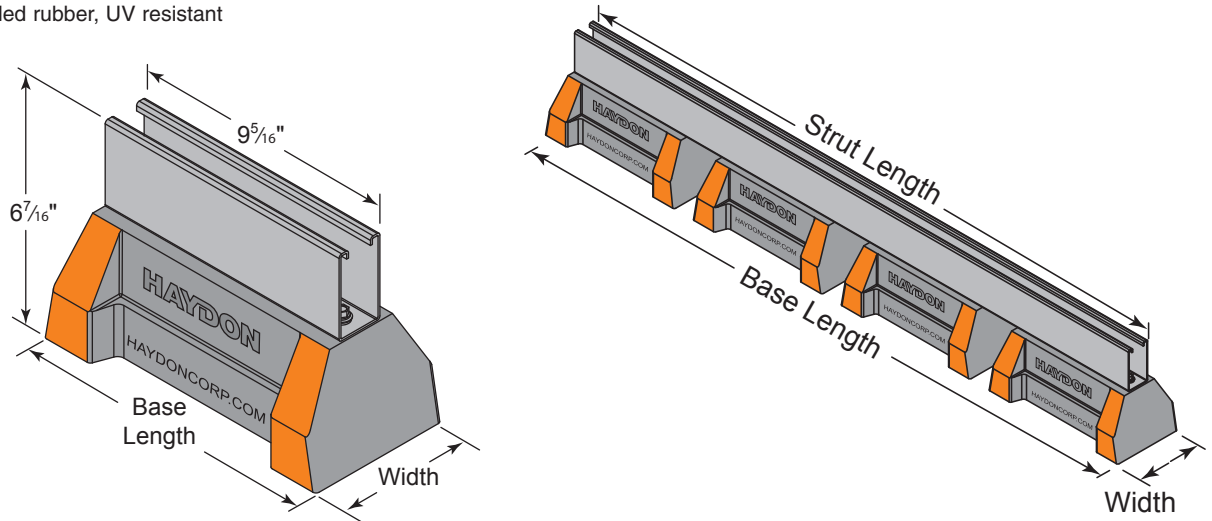
All H-STRUT channels are stocked in pre-galvanized and powder coated Supr-Green. Some sizes are stocked in zinc trivalent chromium, PVC or hot dipped galvanized.

- Hot Dipped Galvanized. . . . .ASTM A-123
- Zinc Trivalent Chromium . . . . .ASTM B-633-85
- Powder Coated Supr-Green. . . . .ASTM B-117
- PVC Coating 40 ML Thickness - Available Upon Request

## HBS-6 Series

### HBS Support With 2<sup>7</sup>/<sub>16</sub>" H-122 Pre-Galv. Steel Channel (Cont.)

Specifications – HBS-6 Series  
 H-Block Support with: 2-<sup>7</sup>/<sub>16</sub>" H-122 Channel  
 Material - 100% recycled rubber, UV resistant



Model No.	Height	Width	No. of Bases Required	Strut Length	Base Length	Weight (Lbs)	Uniform Load Capacity (Lbs) *
HBS-6-10-H-122-PG	6 <sup>7</sup> / <sub>16</sub> " (165mm)	5" (127mm)	1	9.312" (237mm)	10- <sup>7</sup> / <sub>8</sub> " (276mm)	6.69	2,500 *
HBS-6-24-H-122-PG			2	22.375" (568mm)	24" (610mm)	14.13	5,000 *
HBS-6-36-H-122-PG			3	34.375" (873mm)	36" (914mm)	21.35	7,500 *
HBS-6-48-H-122-PG			4	46.375" (1178mm)	48" (1219mm)	28.58	10,000 *

\* This load is only for the capacity of the components in this assembly. Please consult roofing manufacturer or engineer for roof load capacity

Project Information		
<b>Project:</b>		<b>Notes:</b>
<b>Address:</b>		
<b>Contractor:</b>		
<b>Engineer:</b>	<b>Date:</b>	
Approval		
<input type="checkbox"/> Approved <input type="checkbox"/> Approved as Noted <input type="checkbox"/> Not Approved	<b>Signature:</b>	<b>Remarks:</b>