

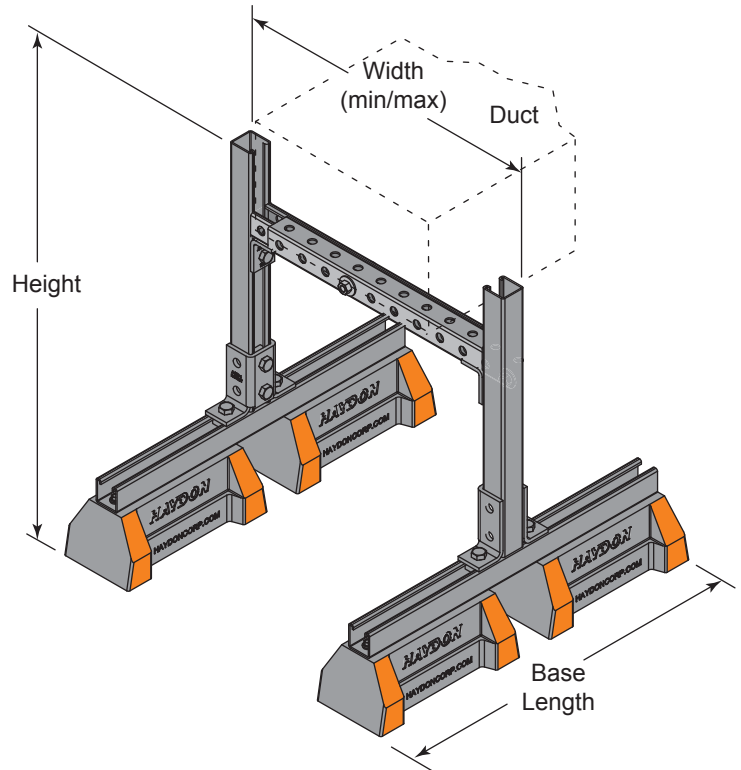
HBS-DSAW Adjustable Duct Support



HBS-DS-Duct Support Series With Adjustable Width and Height



The HBS-DSAW Series is designed specifically for supporting duct work. The telescopic cross beam provides easy size adjustments. A wide range of support widths are provided from 19-¹/₄" to 103-⁵/₈"



Specifications – HBS-DSAW
 Adjustable Width & Height.
 All hardware required for assembly is included.
 Base Material - 100% recycled rubber, UV resistant
 Telescopic Crossbeams - 1⁵/₈" H-132-RS3 Channel

SPECIFICATIONS

MATERIAL

- H-BLOCK is 100% Recycled Rubber
 - All 4 corners coated with ANSI #2535.1-1998 orange
- H-STRUT channels are produced from prime structural steel covered by the following specifications.

- Pre-Galvanized SteelASTM A-653
- Plain SteelASTM A-1011-SS
- Aluminum (Type 6063T6)ASTM B-221
- Stainless Steel (Type 304 & 316) ASTM A-240

Other materials and specifications available on request.

TESTING

Rooftop Supports Have Been Tested By An Accredited Independent Laboratory To The Following:
 ASTM D575 Method B – Modified – Compression/Deflection
 ASTM D1171 Modified – Ozone Resistance
 Freeze/Thaw Environmental Simulation

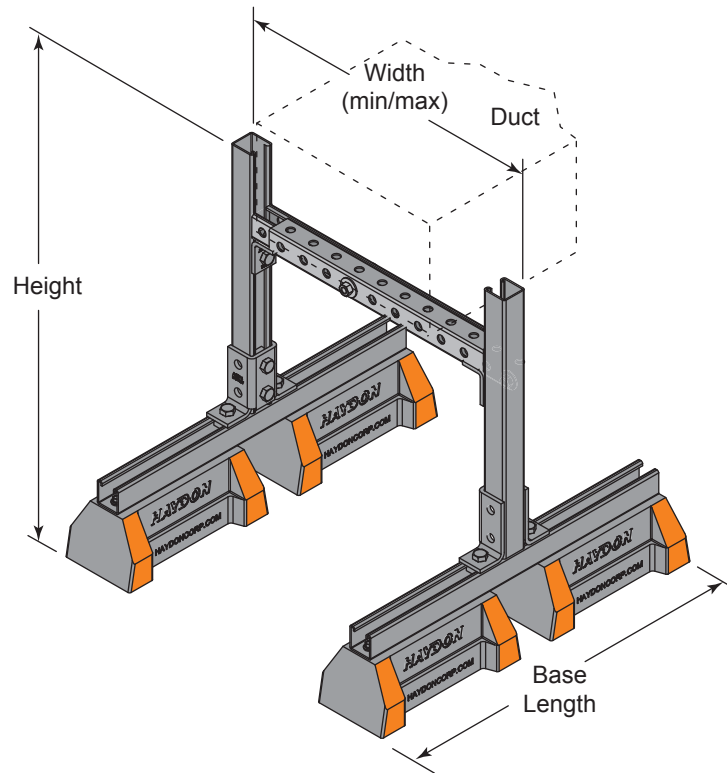
FINISHES

All H-STRUT channels are stocked in pre-galvanized and powder coated Supr-Green. Some sizes are stocked in zinc trivalent chromium, PVC or hot dipped galvanized.

- Hot Dipped Galvanized.ASTM A-123
- Zinc Trivalent ChromiumASTM B-633-85
- Powder Coated Supr-Green.ASTM B-117
- PVC Coating 40 ML Thickness - Available Upon Request

HBS-DSAW Adjustable Duct Support

HBS-DS-Duct Support Series With Adjustable Width and Height (Cont.)



Model No.	Width		Height	Base Length	No. of Bases	Weight (Lbs)	Uniform Load Capacity At Minimum Width (Lbs) *
	Minimum	Maximum					
HBS-DSAW-29-20-26-H-132-PG	19-1/4" (489mm)	26-3/4" (679mm)	28.813" (732mm)	10-7/8" (276mm)	2	29.61	1,909 *
HBS-DSAW-29-25-39-H-132-PG	24-7/8" (632mm)	39-7/8" (1013mm)		24" (610mm)	4	31.19	1,477 *
HBS-DS2AW-29-38-62-H-132-PG	38" (965mm)	62-3/8" (1575mm)		36" (914mm)	6	46.47	967 *
HBS-DS3AW-29-63-103-H-132-PG	62-3/8" (1584mm)	103-5/8" (2617mm)				66.90	589 *
HBS-DSAW-36-20-26-H-132-PG	19-1/4" (489mm)	26-3/4" (679mm)	36" (914mm)	10-7/8" (276mm)	2	30.61	1,909 *
HBS-DSAW-36-25-39-H-132-PG	24-7/8" (632mm)	39-7/8" (1013mm)		24" (610mm)	4	32.19	1,477 *
HBS-DS2AW-36-38-62-H-132-PG	38" (965mm)	62-3/8" (1575mm)		36" (914mm)	6	47.47	967 *
HBS-DS3AW-36-63-103-H-132-PG	62-3/8" (1584mm)	103-5/8" (2617mm)				67.90	589 *

* This load is only for the capacity of the components in this assembly. Please consult roofing manufacturer or engineer for roof load capacity

Project Information		
Project:		Notes:
Address:		
Contractor:		
Engineer:	Date:	
Approval		
<input type="checkbox"/> Approved <input type="checkbox"/> Approved as Noted <input type="checkbox"/> Not Approved	Signature:	Remarks: