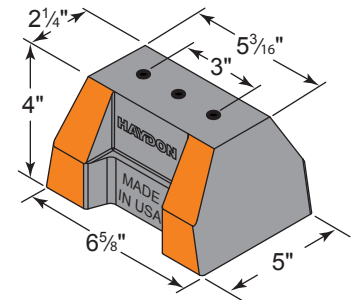


## HBM-Base

The HBM-Base Series is UV resistant and suitable for installation on most types of roofing material or other flat surfaces. A cost-effective method for mounting and supporting single pipe applications without losing strength and integrity.

### Specifications – H-Block Support

- Material - 100% recycled rubber,
- Economical
- Versatile
- Used for single pipe applications
- Mounting and supporting without losing strength or integrity
- Made from 100% post-consumer recycled materials
- Corners coated with high visibility safety ANSI orange



## HBM-BASE SERIES

Model No.	Height	Width	Base Length	Weight (Lbs)	Uniform Load Capacity (Lbs) *
HBM-Mini-Base Only	4" (101mm)	5" (127mm)	6- <sup>5</sup> / <sub>8</sub> " (168mm)	2.50 lbs.	400 *

\* This load is only for the capacity of the components in this assembly. Please consult roofing manufacturer or engineer for roof load capacity

## SPECIFICATIONS

### MATERIAL

- H-BLOCK is 100% Recycled Rubber
- All 4 corners coated with ANSI #2535.1-1998 orange

### TESTING

Rooftop Supports Have Been Tested By An Accredited Independent Laboratory To The Following:

- ASTM D575 Method B – Modified – Compression/Deflection
- ASTM D1171 Modified – Ozone Resistance
- Freeze/Thaw Environmental Simulation

Project Information		
Project:		Notes:
Address:		
Contractor:		
Engineer:	Date:	
Approval		
<input type="checkbox"/> Approved	Signature:	Remarks:
<input type="checkbox"/> Approved as Noted		
<input type="checkbox"/> Not Approved		