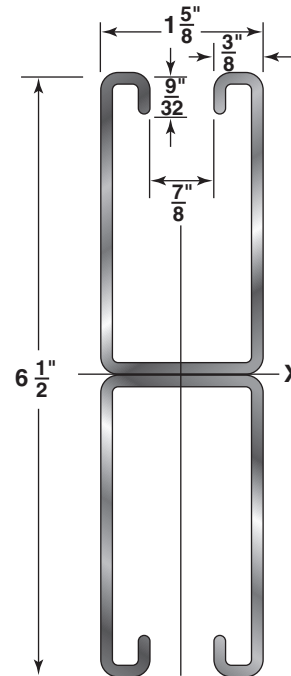
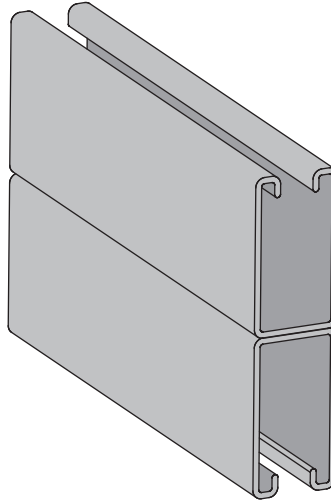


H-112-A

6 1/2" X 1 5/8"

12 Gauge Back-to-Back
wt./100 ft. - 626#

Stocked in pre-galvanized, plain & powder coated Supr-Green, in both 10 & 20 ft. lengths. Note: Also available in Stainless Steel 304 & 316L Alloys. Other materials, finishes, lengths, slotted and configurations are available upon request.



and 20' lengths with a tolerance of $\pm 1/8$ ".
Other lengths are available upon request.

LOADING DATA

1. When calculating load at center of span, multiply load from table by 0.5 and deflection by 0.8.
2. When calculating beam and column loads for aluminum, multiply by 33%.

MATERIAL

H-STRUT channels are produced from prime structural steel covered by the following specifications.
(See technical section for additional information)

- Pre-Galvanized SteelASTM A-653
 - Plain SteelASTM A-1011-04-SS
 - Aluminum (Type 6063T6)ASTM B-221
 - Stainless Steel (Type 304 & 316L) . .ASTM A-240
- Other materials and specifications available on request.

FINISHES

All H-STRUT channels are stocked in pre-galvanized and powder coated Supr-Green. Some sizes are stocked in zinc trivalent chromium, PVC or hot dipped galvanized.

- Hot Dipped Galvanized.ASTM A-123
- Zinc Trivalent Chromium.ASTM B-633-85
- Powder Coated Supr-Green. . . .ASTM B-117
- PVC Coating 40 ML Thickness - Available Upon Request

