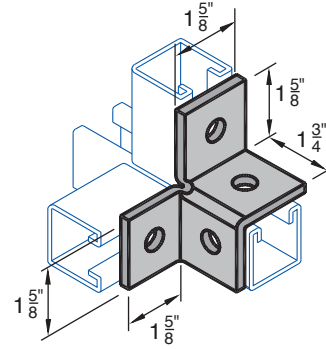


## A-326

Four Hole Double Angle Connector  
 Wt. 76#/C



## Specifications

### GENERAL

H-STRUT General Fittings are designed to fit with all H-STRUT 1 5/8" wide channels. All H-STRUT fittings are manufactured from 1/4" thick carbon steel, 1 5/8" wide, all holes are 9/16" diameter, spaced 1 7/8" on center and 13/16" from the end.

### MATERIAL

H-STRUT fittings are manufactured from the following material:

- Hot Rolled Steel Sheet . . . . .ASTM A-1011 or Cold Rolled Steel Sheet . . . . .ASTM A-1008
- Stainless Steel-Type 304/316L . . . . .ASTM A-240
- Aluminum Fitting . . . . .ASTM B-221

### FINISHES

H-STRUT fittings are available in the following finishes: (See technical section for additional information)

- Electro Galvanized . . . . .ASTM B-633
- Hot Dipped Galvanized. . . . .ASTM A-123
- Zinc Trivalent Chromium. . . . .ASTM B-633-85
- Powder Coated Supr-Green. . . . .ASTM B-117
- PVC Coating - Available Upon Request

### ORDERING

Please specify catalog number and finish.

### Fittings Notes:

Holes are 9/16" diameter, spaced 1 7/8" on center and 13/16" from end.

Project Information		
<b>Project:</b>	<b>Notes:</b>	
<b>Address:</b>		
<b>Contractor:</b>		
<b>Engineer:</b>		
	<b>Date:</b>	
Approval		
<input type="checkbox"/> Approved <input type="checkbox"/> Approved as Noted <input type="checkbox"/> Not Approved	<b>Signature:</b>	<b>Remarks:</b>