



# HAYDON®

Get Strut Done.

# Submittal Sheets

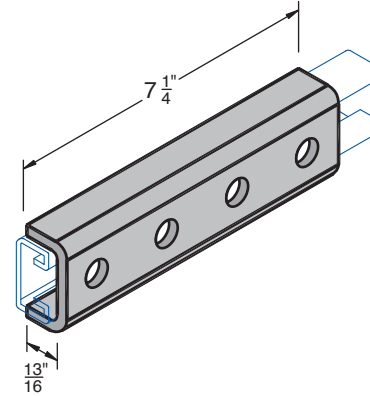
## B-608

Four Hole Splice Channel  
Wt. 128#/C

**\* Use with**

<sup>13</sup>/<sub>16</sub>" x 1<sup>5</sup>/<sub>8</sub>" 12-ga. Channel – H-162

<sup>13</sup>/<sub>16</sub>" x 1<sup>5</sup>/<sub>8</sub>" 14-ga. Channel – H-164



## Specifications

### GENERAL

H-STRUT General Fittings are designed to fit with all H-STRUT 1<sup>5</sup>/<sub>8</sub>" wide channels. All H-STRUT fittings are manufactured from <sup>1</sup>/<sub>4</sub>" thick carbon steel, 1<sup>5</sup>/<sub>8</sub>" wide, all holes are <sup>9</sup>/<sub>16</sub>" diameter, spaced 1<sup>7</sup>/<sub>8</sub>" on center and <sup>13</sup>/<sub>16</sub>" from the end.

### MATERIAL

H-STRUT fittings are manufactured from the following material:

- Hot Rolled Steel Sheet . . . . .ASTM A-1011 or Cold Rolled Steel Sheet . . . . .ASTM A-1008
- Stainless Steel-Type 304/316L . . . . .ASTM A-240
- Aluminum Fitting . . . . .ASTM B-221

### FINISHES

H-STRUT fittings are available in the following finishes: (See technical section for additional information)

- Electro Galvanized . . . . .ASTM B-633
- Hot Dipped Galvanized. . . . .ASTM A-123
- Zinc Trivalent Chromium. . . . .ASTM B-633-85
- Powder Coated Supr-Green. . . . .ASTM B-117
- PVC Coating - Available Upon Request

### ORDERING

Please specify catalog number and finish.

### Fittings Notes:

Holes are <sup>9</sup>/<sub>16</sub>" diameter, spaced 1<sup>7</sup>/<sub>8</sub>" on center and <sup>13</sup>/<sub>16</sub>" from end.

Project Information		
Project:		Notes:
Address:		
Contractor:		
Engineer:	Date:	
Approval		
<input type="checkbox"/> Approved	Signature:	Remarks:
<input type="checkbox"/> Approved as Noted		
<input type="checkbox"/> Not Approved		