



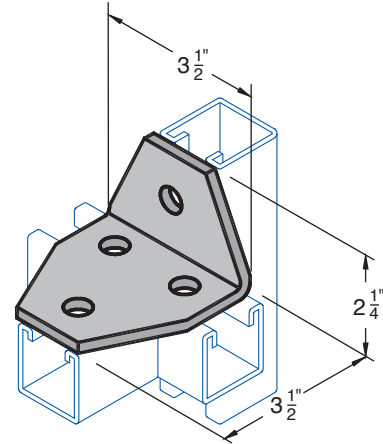
HAYDON®

Get Strut Done.

Submittal Sheets

A-310

Four Hole Duplex Corner Angle
Wt. 101#/C



Specifications

GENERAL

H-STRUT General Fittings are designed to fit with all H-STRUT 1 5/8" wide channels. All H-STRUT fittings are manufactured from 1/4" thick carbon steel, 1 5/8" wide, all holes are 9/16" diameter, spaced 1 7/8" on center and 13/16" from the end.

MATERIAL

H-STRUT fittings are manufactured from the following material:

- Hot Rolled Steel SheetASTM A-1011 or Cold Rolled Steel SheetASTM A-1008
- Stainless Steel-Type 304/316LASTM A-240
- Aluminum FittingASTM B-221

FINISHES

H-STRUT fittings are available in the following finishes: (See technical section for additional information)

- Electro GalvanizedASTM B-633
- Hot Dipped Galvanized.ASTM A-123
- Zinc Trivalent Chromium.ASTM B-633-85
- Powder Coated Supr-Green.ASTM B-117
- PVC Coating - Available Upon Request

ORDERING

Please specify catalog number and finish.

Fittings Notes:

Holes are 9/16" diameter, spaced 1 7/8" on center and 13/16" from end.

Project Information		
Project:		Notes:
Address:		
Contractor:		
Engineer:	Date:	
Approval		
<input type="checkbox"/> Approved	Signature:	Remarks:
<input type="checkbox"/> Approved as Noted		
<input type="checkbox"/> Not Approved		