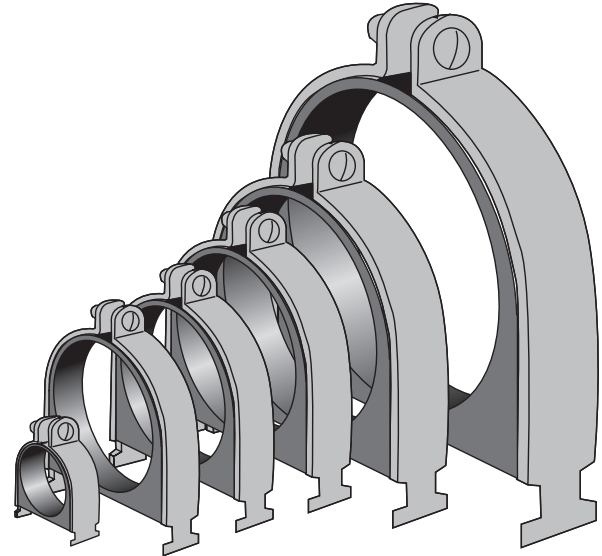




C-1000

Cushion Clamps for Tube

Cat. No.	Tube O.D. Size	Steel Ga.	Wt./100 Pcs.	Std. Pkg.
C100025	1/4"	14	11	Bags
C100037	3/8"	14	12	Bags
C100050	1/2"	14	13	Bags
C100062	5/8"	14	15	Bags
C100075	3/4"	14	19	Bags
C100087	7/8"	14	21	Bags
C100100	1"	12	25	Bags
C100112	1 1/8"	12	29	Bags
C100125	1 1/4"	12	29	Bags
C100137	1 3/8"	11	38	Bags
C100150	1 1/2"	11	38	Bags
C100162	1 5/8"	11	40	Bags
C100175	1 3/4"	11	42	Bags
C100187	1 7/8"	11	46	Bags
C100200	2"	11	46	Bags
C100212	2 1/8"	11	58	Bags
C100237	2 3/8"	11	58	Bags
C100262	2 5/8"	12	58	Bags
C100300	3"	12	69	Bags
C100312	3 1/8"	12	59	Bags
C100362	3 5/8"	11	75	Bags
C100412	4 1/8"	11	90	Bags



ORDERING: Specify catalog number.

Finish: Zinc Dichromite, other materials & finishes available on request.

CUSHION FEATURES

- Reduces noise due to shock and vibration
- Eliminates metal to metal contact
- Usable temperatures from +275°F to -65°F
- Fast and easy installation
- Permits various fluid conductors to be mixed.
- Resists most fuels, oil, gases, solvents
- Manufactured from a thermoplastic elastomer material

CLAMP FEATURES

- Fits all standard 1 5/8" channels
- Features a unique shoulder stud which is securely fastened to one half of the clamp (available up to 1 3/8" clamp). This eliminates over-tightening and rotation.
- A nylon-insert nut assuring a positive lock

Project Information			
Project:		Notes:	
Address:			
Contractor:			
Engineer:	Date:		
Approval			
<input type="checkbox"/> Approved	Signature:		Remarks:
<input type="checkbox"/> Approved as Noted			
<input type="checkbox"/> Not Approved			