



HAYDON®

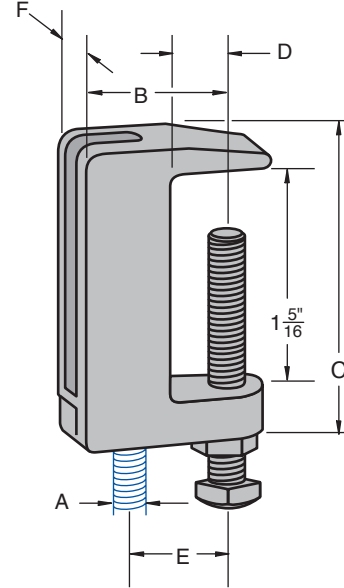
Get Strut Done.

Submittal Sheets

C-430

Beam Clamp

MATERIAL: Malleable Iron
FINISH: Plain/Electro-Galvanized
APPLICATION: Recommended for use under roof installations with bar joist type construction where thickness of joist does not exceed 1¼ inch.
ORDERING: Specify part #, rod size and finish.



Catalog No.	Rod Size A	B	C	D	E	F	Max. Load Lbs	Wt./100 Pcs.
C-430-1	3/8"	1 7/16"	2"	3/4"	1 3/16"	3/4"	400	38
C-430-2	1/2"	1 5/8"	2 1/16"	3/4"	1 1/4"	7/8"	500	49
C-430-3	5/8"	1 3/4"	2 1/4"	3/4"	1 1/4"	1"	800	66
C-430-4	3/4"	1 7/8"	2 3/8"	3/4"	1 3/8"	1 3/8"	900	83

Specifications

GENERAL

H-STRUT General Fittings are designed to secure all H-STRUT 1 5/8" wide channels, or threaded rod, to beams or supports for the purpose of running piping, conduit or tubing. All H-STRUT fittings are manufactured from 1/4" thick carbon steel or cast malleable iron. Please contact the factory for any other clamps you may need.

ORDERING

Please specify catalog number and finish.

MATERIAL

H-STRUT fittings are manufactured from the following material:

- Hot Rolled Steel SheetASTM A-1101 or Cold Rolled Steel SheetASTM A-1008
- Stainless Steel-Type 304/316L. .ASTM A-240
- Malleable Cast Iron

FINISH

H-STRUT pipe clamps are available in the following finishes:

- Electro-GalvanizedASTM B-633
- Hot Dipped Galvanized.ASTM A-123
- Zinc Trivalent Chromium.ASTM B-633-85
- Powder Coated Supr-Green. . . .ASTM B-117
- PVC Coating - Available Upon Request

Project Information			
Project:		Notes:	
Address:			
Contractor:			
Engineer:	Date:		
Approval			
<input type="checkbox"/> Approved	Signature:		Remarks:
<input type="checkbox"/> Approved as Noted			
<input type="checkbox"/> Not Approved			