



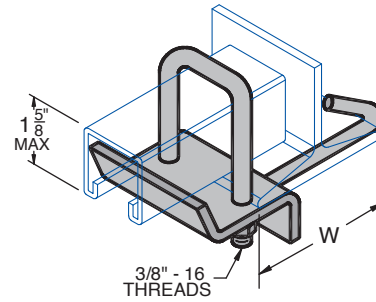
HAYDON®

Get Strut Done.

Submittal Sheets

C-416

"U" Bolt Beam Clamp with Hook
Specify 6" or 12" Max. Flange Width.



| Catalog No. | Std. Pkg. | Wt./100 Pcs. | Use With |
|-------------|-----------|--------------|-------------------------------------------------------------------------------------------------------------------------|
| C-416 T1 6 | 10 | 130 | 1 5/8" x 1 5/8" 12-ga. Channel – H-132 1 5/8" x 1 5/8" 14-ga. Channel – H-134 |
| C-416 T1 12 | 10 | 142 | 1 3/4" x 1 5/8" 12-ga. Channel – H-142 1" x 1 5/8" 12-ga. Channel – H-152 1 3/16" x 1 5/8" 14-ga. Channel – H-164 |
| C-416 T2 6 | 10 | 141 | 3/4" x 1 5/8" 12 ga. Channel – H-112 2 7/16" x 1 5/8" 12-ga. Channel – H-122 |
| C-416 T2 12 | 10 | 153 | 3/4" x 1 5/8" 12 ga. Back-to-Back Channel – H-132-A |

Specifications

GENERAL

H-STRUT General Fittings are designed to secure all H-STRUT 1 5/8" wide channels, or threaded rod, to beams or supports for the purpose of running piping, conduit or tubing. All H-STRUT fittings are manufactured from 1/4" thick carbon steel or cast malleable iron. Please contact the factory for any other clamps you may need.

ORDERING

Please specify catalog number and finish.

MATERIAL

H-STRUT fittings are manufactured from the following material:

- Hot Rolled Steel SheetASTM A-1101 or Cold Rolled Steel SheetASTM A-1008
- Stainless Steel-Type 304/316L. .ASTM A-240
- Malleable Cast Iron

FINISH

H-STRUT pipe clamps are available in the following finishes:

- Electro-GalvanizedASTM B-633
- Hot Dipped Galvanized.ASTM A-123
- Zinc Trivalent Chromium.ASTM B-633-85
- Powder Coated Supr-Green. . . .ASTM B-117
- PVC Coating - Available Upon Request

| Project Information | | |
|--------------------------------------------|------------|----------|
| Project: | Notes: | |
| Address: | | |
| Contractor: | | |
| Engineer: | | |
| Approval | | |
| <input type="checkbox"/> Approved | Signature: | Remarks: |
| <input type="checkbox"/> Approved as Noted | | |
| <input type="checkbox"/> Not Approved | | |