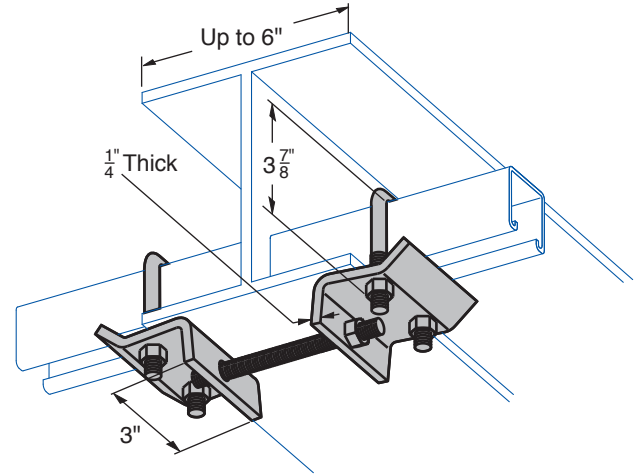


C-415

Double "U" Bolt Beam Clamp
Specify 6" or 12" Max. Flange Width.

| Catalog No. | Std. Pkg. | Wt./100 Pcs. | Use With |
|-------------|-----------|--------------|---|
| C-415 T1 6 | 10 | 204 | 1 $\frac{5}{8}$ " x 1 $\frac{5}{8}$ " 12-ga. Channel – H-132 |
| | | | 1 $\frac{5}{8}$ " x 1 $\frac{5}{8}$ " 14-ga. Channel – H-134 |
| | | | 1 $\frac{3}{4}$ " x 1 $\frac{5}{8}$ " 12-ga. Channel – H-142 |
| C-415 T1 12 | 10 | 210 | 1" x 1 $\frac{5}{8}$ " 12-ga. Channel – H-152 |
| | | | 1 $\frac{3}{16}$ " x 1 $\frac{5}{8}$ " 14-ga. Channel – H-164 |
| C-415 T2 6 | 10 | 226 | 3 $\frac{1}{4}$ " x 1 $\frac{5}{8}$ " 12 ga. Channel – H-112 |
| | | | 2 $\frac{7}{16}$ " x 1 $\frac{5}{8}$ " 12-ga. Channel – H-122 |
| C-415 T2 12 | 10 | 232 | 3 $\frac{1}{4}$ " x 1 $\frac{5}{8}$ " 12 ga. |
| | | | Back-to-Back Channel – H-132-A |



Specifications

GENERAL

H-STRUT General Fittings are designed to secure all H-STRUT 1 $\frac{5}{8}$ " wide channels, or threaded rod, to beams or supports for the purpose of running piping, conduit or tubing. All H-STRUT fittings are manufactured from $\frac{1}{4}$ " thick carbon steel or cast malleable iron. Please contact the factory for any other clamps you may need.

ORDERING

Please specify catalog number and finish.

MATERIAL

H-STRUT fittings are manufactured from the following material:

- Hot Rolled Steel SheetASTM A-1101 or Cold Rolled Steel SheetASTM A-1008
- Stainless Steel-Type 304/316.ASTM A-240
- Malleable Cast Iron

FINISH

H-STRUT pipe clamps are available in the following finishes:

- Electro-GalvanizedASTM B-633
- Hot Dipped Galvanized.ASTM A-123
- Zinc Trivalent Chromium.ASTM B-633-85
- Powder Coated Supr-Green.ASTM B-117
- PVC Coating - Available Upon Request

| Project Information | | | |
|--|------------|----------|--|
| Project: | | Notes: | |
| Address: | | | |
| Contractor: | | | |
| Engineer: | Date: | | |
| Approval | | | |
| <input type="checkbox"/> Approved | Signature: | Remarks: | |
| <input type="checkbox"/> Approved as Noted | | | |
| <input type="checkbox"/> Not Approved | | | |