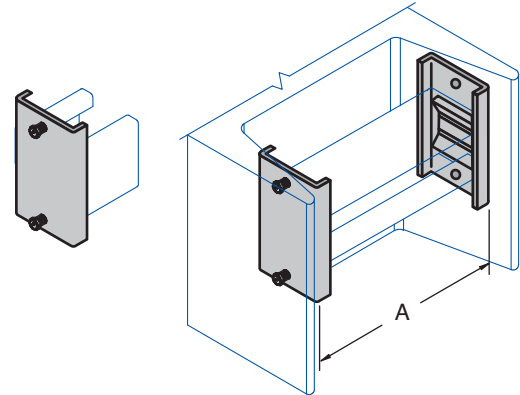


C-413

Column Beam Clamp

Catalog No.	A	Wt./100 Pcs.
C-413-1	9"	272
C-413-2	12"	272



- NOTE:**
- For use with
 - 1⁵/₈" x 1³/₁₆" 14-ga. Channel – H-164
 - 1⁵/₈" x 1³/₁₆" 12-ga. Channel – H-162
 - Sold only in pairs

Specifications

GENERAL

H-STRUT General Fittings are designed to secure all H-STRUT 1⁵/₈" wide channels, or threaded rod, to beams or supports for the purpose of running piping, conduit or tubing. All H-STRUT fittings are manufactured from 1/4" thick carbon steel or cast malleable iron. Please contact the factory for any other clamps you may need.

ORDERING

Please specify catalog number and finish.

MATERIAL

H-STRUT fittings are manufactured from the following material:

- Hot Rolled Steel SheetASTM A-1101 or Cold Rolled Steel SheetASTM A-1008
- Stainless Steel-Type 304/316.ASTM A-240
- Malleable Cast Iron

FINISH

H-STRUT pipe clamps are available in the following finishes:

- Electro-GalvanizedASTM B-633
- Hot Dipped Galvanized.ASTM A-123
- Zinc Trivalent Chromium.ASTM B-633-85
- Powder Coated Supr-Green.ASTM B-117
- PVC Coating - Available Upon Request

Project Information		
Project:		Notes:
Address:		
Contractor:		
Engineer:	Date:	
Approval		
<input type="checkbox"/> Approved	Signature:	Remarks:
<input type="checkbox"/> Approved as Noted		
<input type="checkbox"/> Not Approved		