



HAYDON®

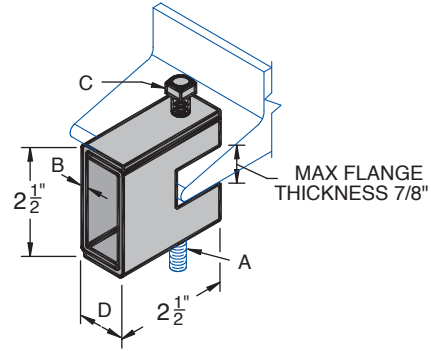
Get Strut Done.

Submittal Sheets

C-410

Beam Clamp

Catalog No.	A	B	C	D	Wt./100 Pcs.	Design Load
C-410-1	1/4"-20	1/8"	3/8" x 1 1/2"	7/8"	67	650
C-410-2	5/16"-18	1/8"	3/8" x 1 1/2"	7/8"	67	650
C-410-3	3/8"-16	1/8"	3/8" x 1 1/2"	7/8"	67	650
C-410-4	3/8"-16	3/16"	1/2" x 1 1/2"	1 5/16"	100	1100
C-410-5	1/2"-13	3/16"	1/2" x 1 1/2"	1 5/16"	100	1100
C-410-6	1/2"-13	1/4"	1/2" x 1 1/2"	1 5/16"	100	1600
C-410-7	5/8"-11	1/4"	1/2" x 1 1/2"	1 5/16"	130	1600
C-410-8	5/8"-11	5/16"	5/8" x 1 1/2"	1 15/16"	160	2400
C-410-9	3/4"-10	5/16"	5/8" x 1 1/2"	1 15/16"	160	2400



Specifications

GENERAL

H-STRUT General Fittings are designed to secure all H-STRUT 1 5/8" wide channels, or threaded rod, to beams or supports for the purpose of running piping, conduit or tubing. All H-STRUT fittings are manufactured from 1/4" thick carbon steel or cast malleable iron. Please contact the factory for any other clamps you may need.

ORDERING

Please specify catalog number and finish.

MATERIAL

H-STRUT fittings are manufactured from the following material:

- Hot Rolled Steel SheetASTM A-1101 or Cold Rolled Steel SheetASTM A-1008
- Stainless Steel-Type 304/316L .ASTM A-240
- Malleable Cast Iron

FINISH

H-STRUT pipe clamps are available in the following finishes:

- Electro-GalvanizedASTM B-633
- Hot Dipped Galvanized.ASTM A-123
- Zinc Trivalent Chromium.ASTM B-633-85
- Powder Coated Supr-Green. . . .ASTM B-117
- PVC Coating - Available Upon Request

Project Information		
Project:	Notes:	
Address:		
Contractor:		
Engineer:		
Approval		
<input type="checkbox"/> Approved <input type="checkbox"/> Approved as Noted <input type="checkbox"/> Not Approved	Signature:	Remarks: